

# Rack Installation Guide

Guide d'installation en rack

Rack-Installationsanleitung

ラック取り付けガイド

Guía de instalación del rack



# Rack Installation Guide

## Notes, Notices, and Cautions



**NOTE:** A NOTE indicates important information that helps you make better use of your computer.



**NOTICE:** A NOTICE indicates either potential damage to hardware or loss of data and tells you how to avoid the problem.



**CAUTION:** A CAUTION indicates a potential for property damage, personal injury, or death.

---

**Information in this document is subject to change without notice.**

**© 2004 Dell Inc. All rights reserved.**

Reproduction in any manner whatsoever without the written permission of Dell Inc. is strictly forbidden.

Trademarks used in this text: *RapidRails* and *VersaRails* are trademarks of Dell Inc.

Other trademarks and trade names may be used in this document to refer to either the entities claiming the marks and names or their products. Dell Inc. disclaims any proprietary interest in trademarks and trade names other than its own.

# Contents

<b>Safety Instructions</b> . . . . .	<b>1-5</b>
SAFETY: Rack Mounting of Systems . . . . .	1-5
<b>Installation Instructions</b> . . . . .	<b>1-6</b>
Before You Begin . . . . .	1-6
Installation Tasks . . . . .	1-7
Recommended Tools and Supplies . . . . .	1-7
RapidRails Rack Kit Contents . . . . .	1-7
VersaRails Rack Kit Contents . . . . .	1-8
<b>Removing the Rack Doors</b> . . . . .	<b>1-9</b>
<b>Marking the Rack</b> . . . . .	<b>1-10</b>
<b>Installing the RapidRails Slide Assemblies</b> . . . . .	<b>1-11</b>
<b>Installing the VersaRails Slide Assemblies</b> . . . . .	<b>1-12</b>
<b>Installing the System in the Rack</b> . . . . .	<b>1-14</b>
<b>Installing the Cable-Management Arm</b> . . . . .	<b>1-15</b>
Installing the Cable Tray . . . . .	1-15
Securing the Cable-Management Arm . . . . .	1-15
<b>Replacing the Rack Doors</b> . . . . .	<b>1-19</b>
Index . . . . .	1-21

## Figures

Figure 1-1.	RapidRails Rack Kit Contents . . . . .	1-8
Figure 1-2.	VersaRails Rack Kit Contents . . . . .	1-9
Figure 1-3.	One Rack Unit . . . . .	1-10
Figure 1-4.	Marking the Vertical Rails . . . . .	1-11
Figure 1-5.	Installing the RapidRails Slide Assemblies . . . . .	1-12
Figure 1-6.	Installing the VersaRails Rail Assemblies . . . . .	1-13
Figure 1-7.	Installing the System in the Rack . . . . .	1-15
Figure 1-8.	Installing the Cable-Management Arm . . . . .	1-16
Figure 1-9.	Installing the System Status Indicator Cable (If Applicable) . . . . .	1-17
Figure 1-10.	Routing the Power Cords . . . . .	1-18


# Safety Instructions

Use the following safety guidelines to ensure your own personal safety and to help protect your system and working environment from potential damage. For complete safety information, see the *Product Information Guide*.

## **SAFETY: Rack Mounting of Systems**

Observe the following precautions for rack stability and safety.

Systems are considered to be components in a rack. Thus, "component" refers to any system as well as to various peripherals or supporting hardware.

 **CAUTION:** Installing systems in a rack without the front and side stabilizers installed could cause the rack to tip over, potentially resulting in bodily injury under certain circumstances. Therefore, always install the stabilizers before installing components in the rack.

**After installing system/components in a rack, never pull more than one component out of the rack on its slide assemblies at one time. The weight of more than one extended component could cause the rack to tip over and injure someone.**




**NOTE:** Your system is safety-certified as a free-standing unit and as a component for use in a rack cabinet using the customer rack kit when both the rack cabinet and rack kit were designed for your system. The installation of your system and rack kit in any other rack cabinet has not been approved by any safety agencies. It is your responsibility to have the final combination of system and rack kit in a cabinet evaluated for suitability by a certified safety agency. The manufacturer disclaims all warranties and liability in connection with such combinations.

- System rack kits are intended to be installed in an approved rack by trained service technicians. If you install the kit in any other rack, be sure that the rack meets the specifications.
- Before working on the rack, make sure that the stabilizers are secured to the rack, extended to the floor, and that the full weight of the rack rests on the floor. Install front and side stabilizers on a single rack or front stabilizers for joined multiple racks before working on the rack.
- Always load the rack from the bottom up, and load the heaviest item in the rack first.
- Make sure that the rack is level and stable before extending a component from the rack.
- Use caution when pressing the component rail release latches and sliding a component into or out of a rack; the slide rails can pinch your fingers.
- After a component is inserted into the rack, carefully extend the rail into a locking position, and then slide the component into the rack.
- Do not overload the AC power supply branch circuit that provides power to the rack. The total rack load should not exceed 80 percent of the branch circuit rating.
- Ensure that proper airflow is provided to components in the rack.
- Do not step on or stand on any system/component when servicing other components in a rack.


# Installation Instructions

This installation guide provides instructions for trained service technicians installing one or more systems in an open-frame relay rack or in a rack cabinet. The RapidRails™ rack kit can be installed without tools in manufacturer's rack cabinets that have square holes; the VersaRails™ rack kit can be installed in most industry-standard rack cabinets that have square or round holes. The procedures for installing both RapidRails and VersaRails rack kits are similar. One rack kit is required for each system installed in the rack.

 **CAUTION:** Do not install rack kit components designed for another system. Use only the rack kit for your Dell system. Using the rack kit for another system may result in damage to the system and personal injury.


 **NOTE:** If your system is a tower version, you must install a tower-to-rack conversion kit. Instructions for installing this kit are included in a separate document.


The RapidRails rack kit can be installed in most industry-standard rack cabinets.

 **NOTICE:** The VersaRails rack kit is intended to be installed by trained service technicians in a rack that meets the specifications of American National Standards Institute (ANSI)/Electronic Industries Association (EIA) standard ANSI/EIA-310-D-92, International Electrotechnical Commission (IEC) 297, and Deutsche Industrie Norm (DIN) 41494. One rack kit is required for each system that is installed in a rack.

## Before You Begin


Before you begin installing your system in the rack, carefully read the safety instructions found at the beginning of this guide, as well as the safety instructions found in your system's *Product Information Guide* for additional information.

 **CAUTION:** When installing multiple systems in a rack, complete all of the procedures for the current system before attempting to install the next system.


 **CAUTION:** Rack cabinets can be extremely heavy and move easily on the casters. The cabinet has no brakes. Use extreme caution while moving the rack cabinet. Retract the leveling feet when relocating the rack cabinet. Avoid long or steep inclines or ramps where loss of cabinet control may occur. Extend the leveling feet for support and to prevent the cabinet from rolling.

## Important Safety Information

Observe the safety precautions in the following subsections when installing your system in the rack.

 **CAUTION:** You must strictly follow the procedures in this document to protect yourself as well as others who may be involved. Your system may be very large and heavy, and proper preparation and planning are important to prevent injury to yourself and to others. This becomes increasingly important when systems are installed high up in the rack.

## Rack Stabilizer Feet

 **CAUTION:** Installing systems in a rack without the front and side stabilizer feet installed could cause the rack to tip over, potentially resulting in bodily injury under certain circumstances. Therefore, always install the stabilizer feet before installing components in the rack.





**CAUTION:** After installing systems in a rack, never pull more than one system out of the rack on its slide assemblies at one time. The weight of more than one extended system could cause the rack to tip over and cause injury.

The stabilizer feet help prevent the rack from tipping over when a system or other component is pulled out of the rack with the slide assemblies fully extended. See the documentation provided with the rack cabinet for instructions on installing and anchoring the stabilizer feet.

## Installation Tasks

Installing a rack kit involves performing the following tasks in their numbered order:

- 1 Removing the rack doors
- 2 Marking the rack (if necessary)
- 3 Installing the rail assemblies in the rack:
  - RapidRails installation
  - VersaRails installation
- 4 Installing the system in the rack
- 5 Installing the cable-management arm
- 6 Routing cables
- 7 Replacing the rack doors

## Recommended Tools and Supplies

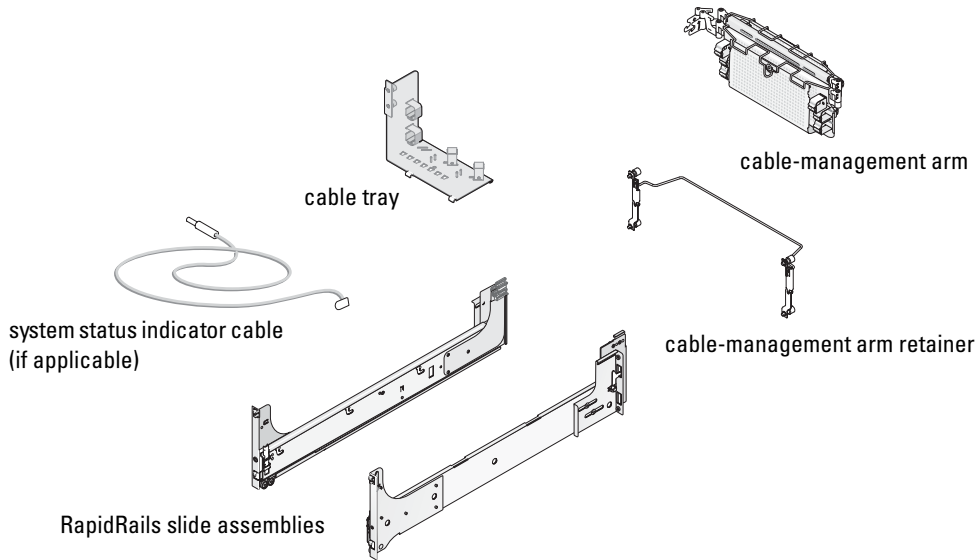
- A #2 Phillips screwdriver
- A T-10 Torx driver (if installing the tower-to-rack kit)
- Masking tape or a felt-tip pen, for use in marking the mounting holes to be used
- A measuring ruler or tape measure

## RapidRails Rack Kit Contents

The RapidRails rack kit includes the following items (see Figure 1-1):

- One pair of RapidRails slide assemblies
- One cable-management arm
- One cable-management arm retainer
- One cable tray


**Figure 1-1. RapidRails Rack Kit Contents**



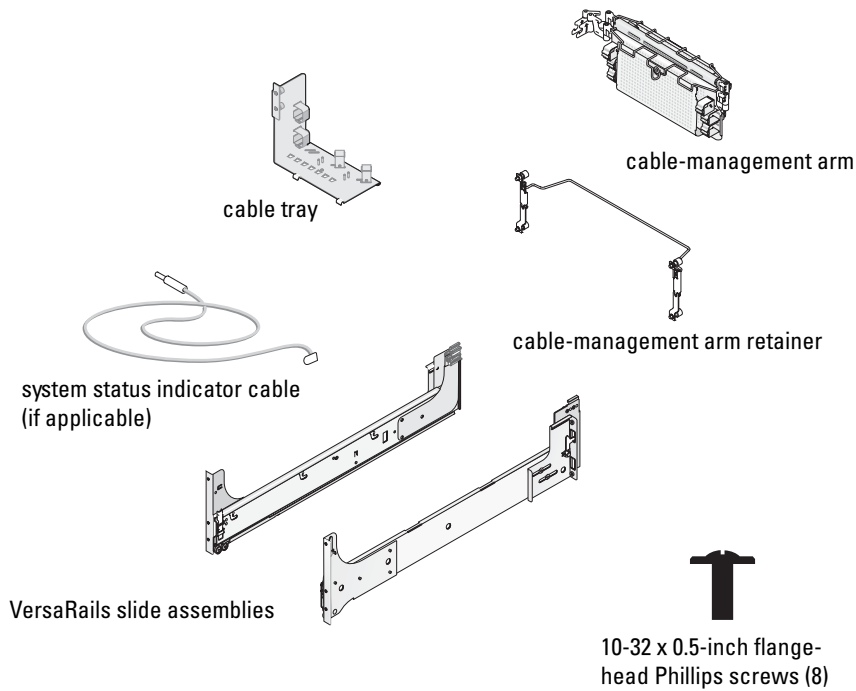
### **VersaRails Rack Kit Contents**

The VersaRails rack kit includes the following items (see Figure 1-2):

- One pair of VersaRails slide assemblies
- One cable-management arm
- One cable-management arm retainer
- One cable tray
- Eight 10-32 x 0.5-inch flange-head Phillips screws

 **NOTE:** The nonmetric screws described in illustrations and in procedural steps are identified by size and number of threads per inch. For example, a #10 Phillips-head screw with 32 threads per inch is identified as a 10-32 screw.

**Figure 1-2. VersaRails Rack Kit Contents**




## Removing the Rack Doors

See the procedures for removing doors in the documentation provided with your rack cabinet.

**⚠ CAUTION:** Because of the size and weight of the rack cabinet doors, never attempt to remove or install them by yourself.

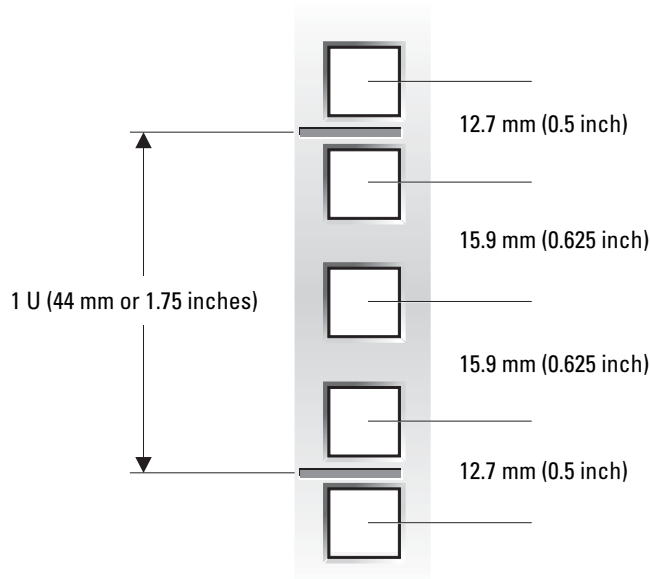
**⚠ CAUTION:** Store the two doors where they will not injure someone if the doors accidentally fall over.

## Marking the Rack

 **NOTE:** Your rack may already be marked and not require this procedure.

You must allow 5 U (8.75 inches) of vertical space for each system you install in the rack (see Figure 1-3).

**Figure 1-3. One Rack Unit**

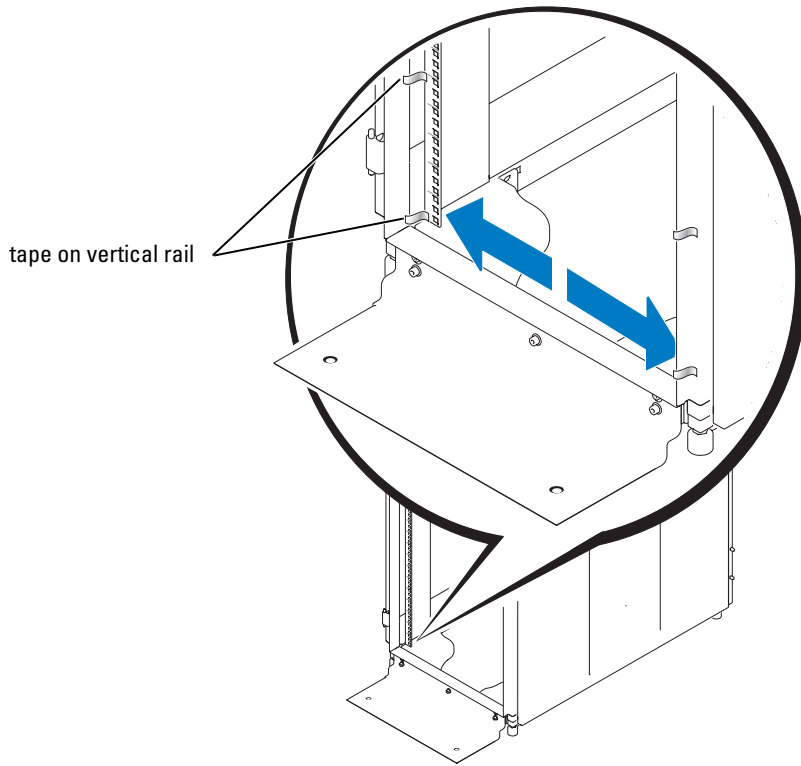


 **CAUTION:** If you are installing more than one system, install the slide assemblies so that the first system is installed in the lowest available position in the rack.

To mark the rack, perform the following steps:

- 1 Place a mark on the rack's front vertical rails where you want to locate the bottom of the system you are installing in the rack cabinet.  
The bottom of each 1-U space is at the middle of the narrowest metal area between holes (marked with a horizontal line on some rack cabinets—see Figure 1-4).
- 2 Place a mark approximately 8.75 inches above the original mark you made (or count up 15 holes in a rack that meets EIA-310 standards) and mark the rack's front vertical rails with a felt-tipped pen or masking tape (if you counted holes, place a mark just above the top hole). This mark or piece of tape indicates where the system's upper edge will be located on the vertical rails (see Figure 1-4).


**Figure 1-4. Marking the Vertical Rails**



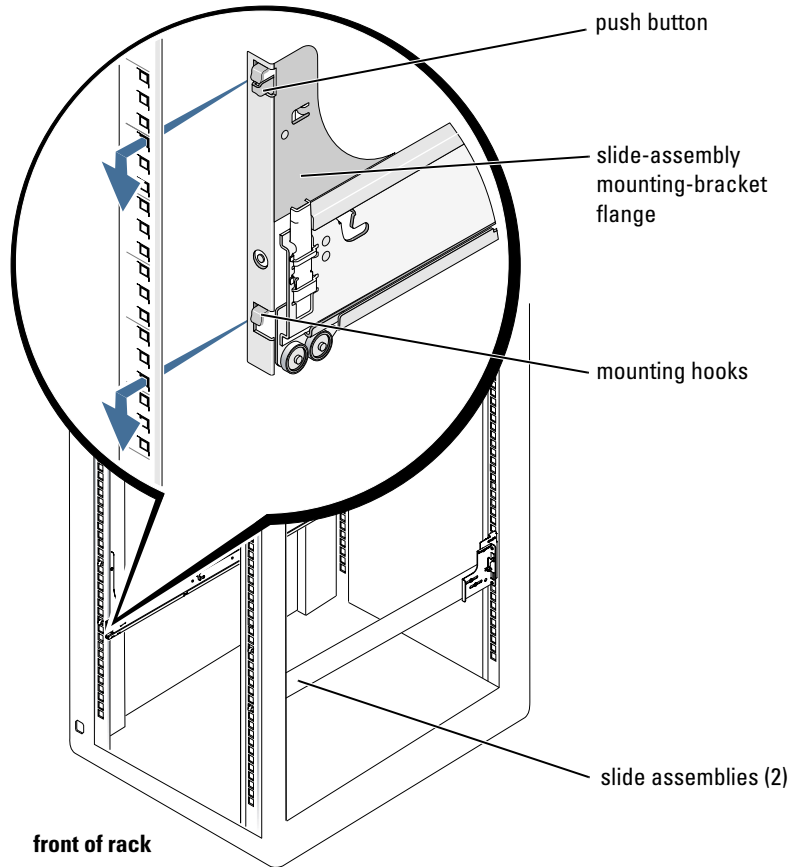
## Installing the RapidRails Slide Assemblies

- 1** At the front of the rack cabinet, position one of the RapidRails slide assemblies so that its mounting-bracket flange fits in the appropriate location on the rack (see Figure 1-5). The top mounting hook on the rail assembly's front-mounting bracket flange should enter the top hole between the marks on the vertical rails.
- 2** Push the slide assembly forward until the top mounting hook enters the square hole just below the upper marks or tape you placed on the vertical rail. Next, push down on the mounting-bracket flange until the mounting hooks seat in the square holes and the push button pops out and clicks (see Figure 1-5).
- 3** At the back of the cabinet, pull back on the mounting-bracket flange until the mounting hooks are in the appropriate hole, and then push down on the flange until the mounting hooks seat in the square holes and the push button pops out and clicks.

- 4 Repeat steps 1 through 3 for the slide assembly on the other side of the rack.

 **NOTE:** Ensure that the rails are mounted at the same vertical position on both sides of the rack.


**Figure 1-5. Installing the RapidRails Slide Assemblies**



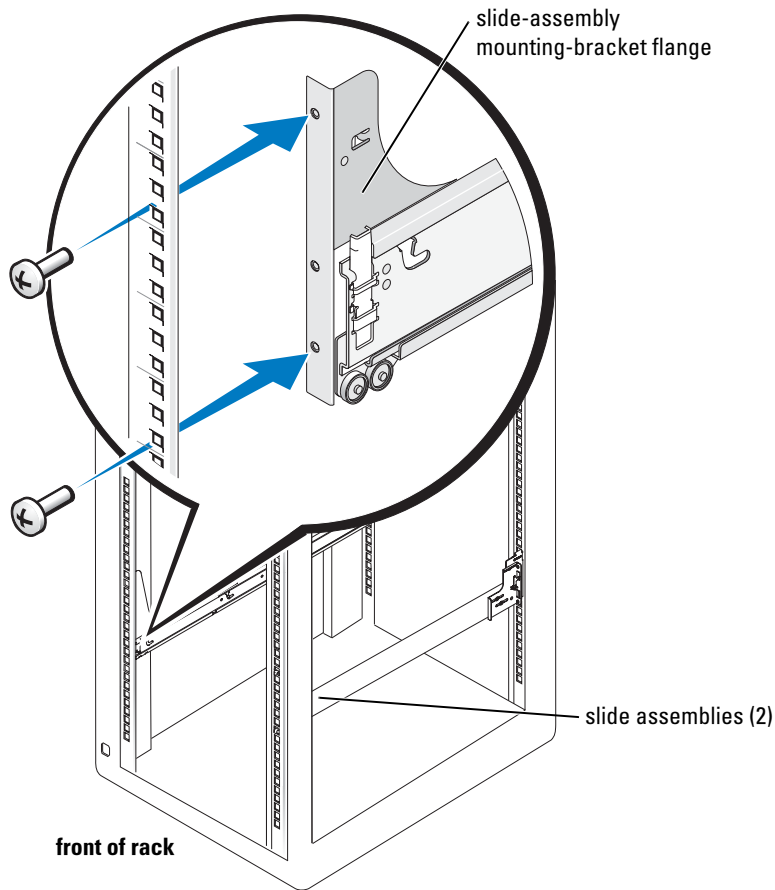
## Installing the VersaRails Slide Assemblies

- 1 At the front of the rack cabinet, place a VersaRails slide assembly so that its mounting-bracket flange fits between the marks or tape (or numbered location) on the rack (see Figure 1-6).  
The holes on the front of the mounting bracket should align with the holes between the marks on the front vertical rail.
- 2 Install two 10-32 x 0.5-inch flange-head Phillips screws in the mounting flange's top hole and the bottom hole (see Figure 1-6).


- 3 At the back of the cabinet, pull back on the mounting-bracket flange until the mounting holes align with their respective holes on the back vertical rail.
- 4 Install two 10-32 x 0.5-inch flange-head Phillips screws in the back mounting flange's first and third holes to secure the slide assembly to the back vertical rail.
- 5 Repeat steps 1 through 4 for the slide assembly on the other side of the rack.

 **NOTE:** Ensure that the rails are mounted at the same vertical position on both sides of the rack.

**Figure 1-6. Installing the VersaRails Rail Assemblies**




## Installing the System in the Rack

 **CAUTION:** If you are installing more than one system, install the first system in the lowest available position in the rack.

 **CAUTION:** Never pull more than one component out of the rack at a time.

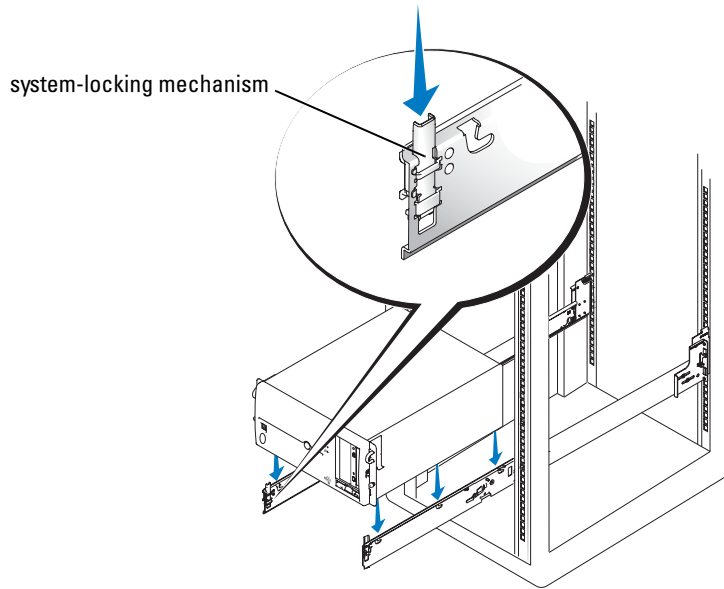
- 1 Pull the two interior slide assemblies out of the rack until they lock in the fully-extended position.

 **CAUTION:** Because of the size and weight of the system, never attempt to install the system in the slide assemblies by yourself.

- 2 Lift the system into position.  
Using a minimum of two persons, each person should place one hand on the front-bottom of the system and the other hand on the back-bottom of the system.
- 3 Tilt the front of the system upward while aligning the back shoulder screws on the sides of the system with the back slots on the slide assemblies (see Figure 1-7).
- 4 Engage the back shoulder screws in the slot just behind the slide-release latch, followed by the middle and front shoulder screws.
- 5 Push the system inward on the slide assemblies until the system locking mechanism clicks into place, locking the slide to the system (see Figure 1-7).
- 6 Pull up on the slide-release latches and push the system into the rack.
- 7 Tighten the thumbscrews on the rack front panel.



**Figure 1-7. Installing the System in the Rack**



## Installing the Cable-Management Arm

This procedure is performed in two phases. First, install the cable tray into the back of the system chassis. Next, install the cable-management arm on either side of the cable tray.

### Installing the Cable Tray

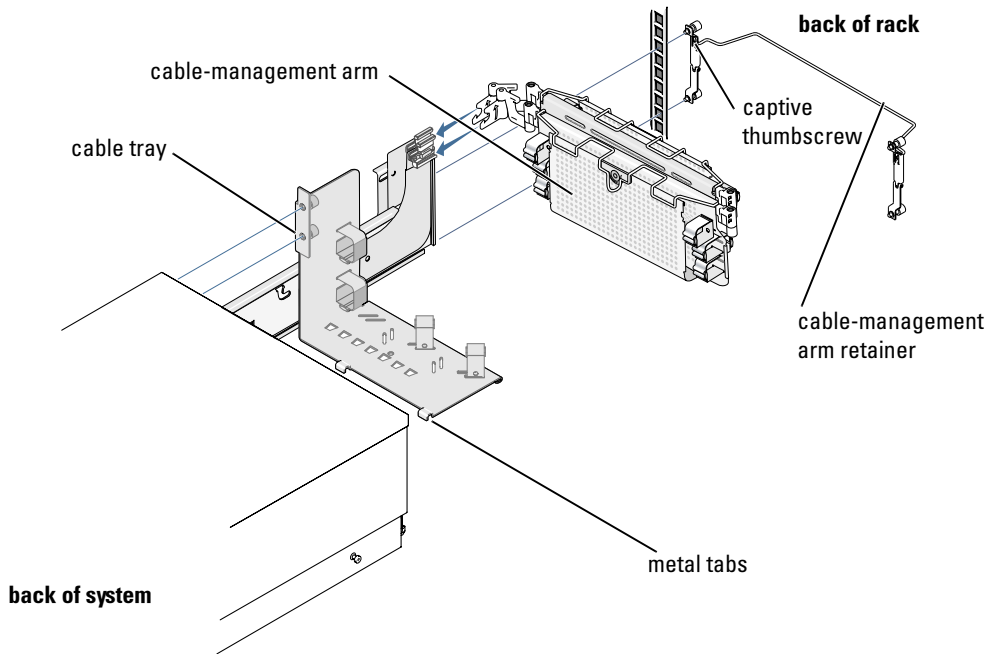
Attach the cable tray to the system chassis using four of the metal tabs at the bottom of the tray and two 6-32 x 0.25-inch hex-head Phillips screws (see Figure 1-8).

**⚠ CAUTION:** The cable tray cannot support the weight of the system. Do not grasp the cable tray when lifting the system. Lift the system only by the chassis edges.

### Securing the Cable-Management Arm


- 1 Facing the back of the rack cabinet, locate the tab on the end of the slide assembly (see Figure 1-8).

**Figure 1-8. Installing the Cable-Management Arm**

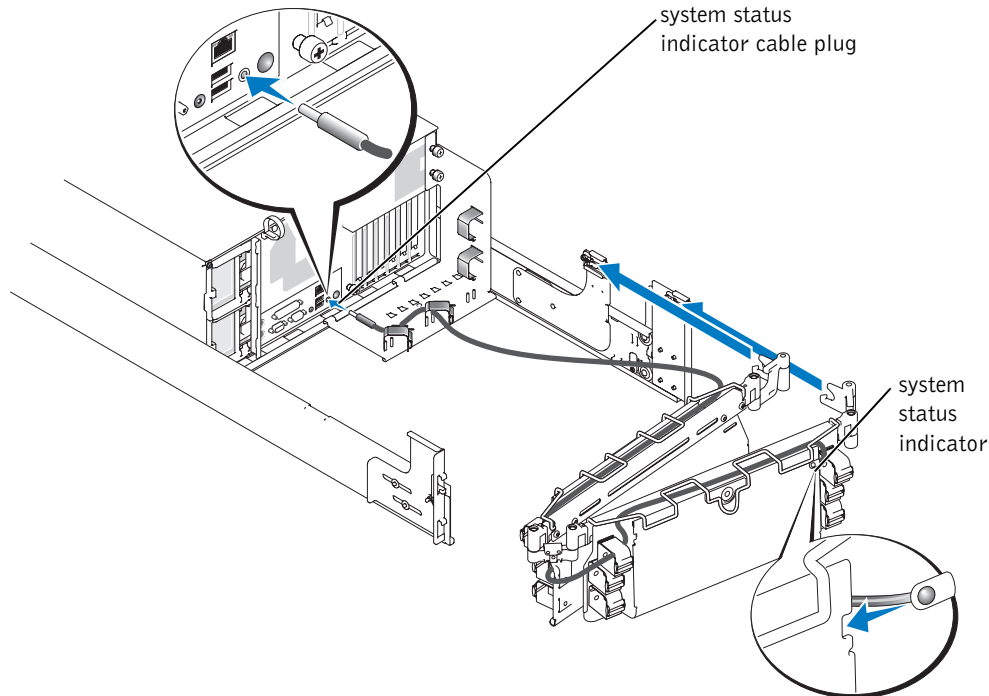


- 2** Push the tab on the back end of the cable-management arm into the latch on the end of the slide assembly (see Figure 1-8).  
The latch clicks when locked.
- 3** Push the tab on the front end of the cable-management arm into a matching latch on the inner segment of the slide assembly (see Figure 1-8).  
The latch clicks when locked.
- 4** Install the system status indicator cable plug into its connector (see Figure 1-9).
- 5** Open the wire covers on the cable-management arm by lifting the center of the wire over the top of the embossed round button on the front of the forward part of the arm and lifting the wire over the top of a similar round button on the back part of the arm.  
The wire cover swings open to enable cables to be routed within the arm.
- 6** Route the system status indicator end of the cable through the cable-management arm, and install the indicator in its slot at the back end of the cable-management arm (see Figure 1-9).


- 7 Connect the power cables to their receptacles on the system back panel.

 **NOTE:** Use the strain-relief loop (if available) on the back of the system to provide strain relief for the power cables.

**Figure 1-9. Installing the System Status Indicator Cable (If Applicable)**




- 8 Connect the power cords to their receptacles on the back panel (see Figure 1-10).

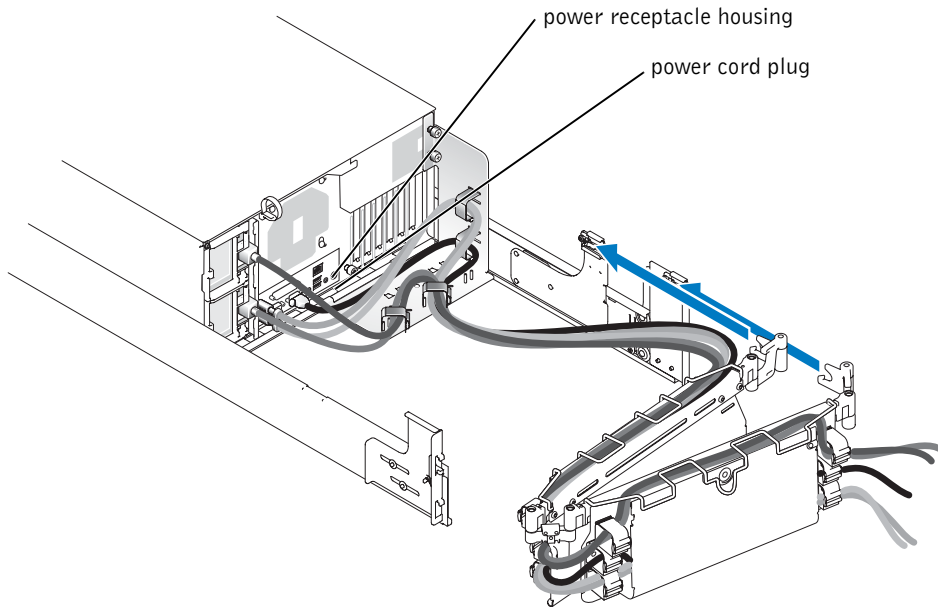
 **CAUTION:** Allow some slack in each cable as you route them around hinges in the cable-management arm.

- 9 Attach the I/O cable connectors to their respective connectors on the system back panel.
- 10 Attach the I/O cable connectors to their respective connectors on the system back panel.  
For details on cable connections, see your system's *Installation and Troubleshooting Guide* and your *User's Guide*.
- 11 Route the power and I/O cables through the cable-management arm, using four loosely secured tie-wraps (two in the middle and one on each end of the cable-management arm). Do not fully tighten the tie-wraps at this time (see Figure 1-10).

Allow some cable slack in the cable-management arm to prevent damage to the cables.

- 12 Secure the cables to the cable-management arm:
    - a After connecting the cables to the system, unscrew the thumbscrews that secure the front of the system to the front vertical rail.
    - b Slide the system forward to the fully extended position.
    - c Route the cables along the cable-management arm, make any adjustments needed to the cable slack at the hinge positions, secure the cables to the cable-management arm with the straps, and close the wire covers over the cable-management arm.
-  **NOTE:** As you pull the system out to its furthest extension, the slide assemblies will lock in the extended position. To push the system back into the rack, press the slide release latch on the side of the slide, and then slide the system completely into the rack.

**Figure 1-10. Routing the Power Cords**



- 13 Slide the system in and out of the rack to verify that the cables are routed correctly and do not bind, stretch, or pinch with the movement of the cable-management arm.
- 14 Open the wire cover of the cable-management arm and tighten the straps just enough to ensure that the cable slack is neither too tight to cause excessive pinching nor too loose, yet keep the cables from slipping as the system is moved in and out of the rack.
- 15 Secure the cable-management arm retainer to the back of the rack using the captive thumbscrews (see Figure 1-8).

## Replacing the Rack Doors

See the procedures for replacing doors in the documentation provided with your 24-U and 42-U rack cabinets.

This completes the rack installation of your system.



# Index

## C

cable-management arm  
  routing cables, 1-18

cables, 1-18

contents listed  
  RapidRails kit, 1-7  
  VersaRails kit, 1-8

## D

doors  
  removing, 1-9  
  replacing, 1-19

## I

installing  
  cable management arm, 1-15  
  system in the rack, 1-14

## K

kit contents  
  RapidRails, 1-7  
  VersaRails, 1-9

## M

marking the rack, 1-10

## R

rack  
  marking, 1-10  
  rack mount precautions, 1-6  
  rack stabilizer feet, 1-6  
  RapidRails kit contents, 1-7

## S

safety instructions, 1-5

## T

tools and supplies  
  installing rack kits, 1-7

## V

VersaRails  
  kit contents, 1-8-1-9  
  VersaRails kit contents  
    list of, 1-8





# Guide d'installation en rack

## Remarques, avis et avertissements



**REMARQUE** : une REMARQUE indique des informations importantes qui vous permettent de mieux utiliser votre ordinateur.



**AVIS** : un AVIS vous avertit d'un risque de dommage matériel ou de perte de données et vous indique comment éviter le problème.



**ATTENTION** : le message **ATTENTION** indique une situation potentiellement dangereuse qui, si elle n'est pas évitée, peut provoquer une détérioration du matériel et des blessures pouvant entraîner la mort.

---

Les informations contenues dans ce document peuvent être modifiées sans préavis.

© 2004 Dell Inc. Tous droits réservés.

La reproduction de ce document de quelque manière que ce soit sans l'autorisation écrite de Dell Inc. est strictement interdite.

Les marques utilisées dans ce document : *RapidRails* et *VersaRails*, sont des marques de Dell Inc.

Tous les autres noms de marques et marques commerciales utilisés dans ce document se rapportent aux sociétés propriétaires des marques et des noms de ces produits. Dell Inc. décline tout intérêt dans l'utilisation des marques déposées et des noms de marques ne lui appartenant pas.

# Sommaire

<b>Consignes de sécurité</b> . . . . .	<b>2-5</b>
SÉCURITÉ : Montage en rack des systèmes. . . . .	2-5
<b>Instructions d'installation</b> . . . . .	<b>2-6</b>
Avant de commencer . . . . .	2-6
Tâches d'installation . . . . .	2-7
Outils et fournitures recommandés. . . . .	2-8
Contenu du kit de rack RapidRails . . . . .	2-8
Contenu du kit de rack VersaRails . . . . .	2-9
<b>Retrait des portes du rack</b> . . . . .	<b>2-10</b>
<b>Marquage du rack</b> . . . . .	<b>2-10</b>
<b>Installation des rails coulissants RapidRails</b> . . . . .	<b>2-12</b>
<b>Installation des rails coulissants VersaRails</b> . . . . .	<b>2-13</b>
<b>Installation du système dans le rack</b> . . . . .	<b>2-15</b>
<b>Installation du bras de maintien des câbles</b> . . . . .	<b>2-16</b>
Installation du chemin de câbles . . . . .	2-16
Fixation du bras de maintien des câbles . . . . .	2-16
<b>Remise en place des portes du rack</b> . . . . .	<b>2-19</b>
Index . . . . .	2-21

## Figures

Figure 2-1.	Contenu du kit de rack RapidRails . . . . .	2-8
Figure 2-2.	Contenu du kit de rack VersaRails . . . . .	2-9
Figure 2-3.	Une unité de rack . . . . .	2-10
Figure 2-4.	Marquage des rails verticaux . . . . .	2-11
Figure 2-5.	Installation des rails coulissants RapidRails . . . . .	2-13
Figure 2-6.	Installation des rails VersaRails . . . . .	2-14
Figure 2-7.	Installation du système dans le rack . . . . .	2-15
Figure 2-8.	Installation du bras de maintien des câbles . . . . .	2-16
Figure 2-9.	Installation du câble du voyant d'état du système, le cas échéant . . . . .	2-17
Figure 2-10.	Routage des cordons d'alimentation . . . . .	2-19

## Consignes de sécurité

Respectez les consignes de sécurité de ce guide pour assurer votre sécurité personnelle et pour contribuer à protéger votre système et votre environnement de travail de dommages potentiels. Pour obtenir des informations complètes sur la sécurité, reportez-vous au *Guide Informations sur le produit*.


### SÉCURITÉ : Montage en rack des systèmes

Pour la stabilité du rack et pour votre sécurité, respectez les précautions suivantes.

Les systèmes montés dans un rack sont également appelés des composants. Le terme “composant” fait donc référence à un système mais aussi aux différents périphériques ou matériels associés.

 **ATTENTION** : l'installation de systèmes dans un rack non équipé de stabilisateurs avant et latéraux peut provoquer son basculement, et entraîner des blessures. C'est pourquoi il faut toujours installer les stabilisateurs avant d'installer les composants du rack.

**Après avoir installé un système ou des composants dans un rack, ne faites jamais coulisser hors du rack plus d'un composant à la fois. Le poids de plusieurs composants sortis du rack risquerait de le faire basculer et de blesser quelqu'un gravement.**

-  **REMARQUE** : la sécurité de votre système est certifiée en tant qu'unité autonome comme en tant que composant d'un rack, monté à l'aide du kit client pour rack, du moment que l'armoire et le kit ont été conçus pour votre système. L'installation de votre système et du kit de rack dans une autre armoire n'a été approuvée par aucun organisme de sécurité. Il vous incombe de vérifier que la conformité de la combinaison finale de votre système et d'un rack a été certifiée par un organisme local de sécurité. Le constructeur dénie toute responsabilité et garantie pour les combinaisons de ce genre.
- Les kits de montage en rack doivent être installés dans un rack certifié, par un technicien de maintenance qualifié. Si vous installez le kit dans un autre rack, assurez-vous qu'il réponde aux caractéristiques requises.
  - Avant de travailler sur le rack, vérifiez que les pieds stabilisateurs sont fixés au rack, qu'ils touchent le sol et que tout le poids du rack repose sur le sol. Avant d'intervenir sur un rack isolé, installez d'abord les pieds stabilisateurs avant et latéraux. Pour plusieurs racks associés, installez les pieds stabilisateurs avant.
  - Remplissez toujours le rack en partant du bas, avec les éléments les plus lourds en premier.
  - Assurez-vous que le rack est d'aplomb et stable avant de tirer un composant hors de son compartiment.
  - Faites attention lorsque vous appuyez sur les loquets de déverrouillage des rails et que vous faites glisser un composant dans ou hors d'un rack, car vous risquez de vous pincer les doigts dans les glissières.
  - Une fois le composant inséré, étendez avec précaution le rail en position de verrouillage, puis faites glisser le composant dans le rack.

- Ne surchargez pas le circuit d'alimentation secteur du rack. La consommation totale du rack ne doit pas dépasser 80 % de la capacité du circuit.
- Assurez-vous que l'aération des composants du rack est correcte.
- Ne montez pas sur un système ou composant lorsque vous intervenez sur d'autres composants du rack.

## Instructions d'installation

Ce guide d'installation contient des instructions s'adressant à des techniciens de maintenance qualifiés. Il explique comment installer un ou plusieurs systèmes dans un rack à châssis ouvert ou une armoire rack. Les rails RapidRails™ peuvent être installés sans outils dans toutes les armoires rack du fabricant qui disposent de trous carrés ; les rails VersaRails™ peuvent être installés dans la plupart des armoires rack conformes aux standards, avec des trous carrés ou ronds. Les procédures d'installation des kits de rack RapidRails et VersaRails sont similaires. Un kit de rack est nécessaire pour chaque système installé dans le rack.



**ATTENTION** : n'installez pas de composants de kit de rack prévus pour un autre système. Utilisez uniquement le kit de rack de votre système Dell. Si vous employez le kit d'un autre système, vous risquez d'endommager le système et de vous blesser.



**REMARQUE** : si votre système est un modèle tour, vous devez installer un kit de conversion de tour en rack. Les instructions d'installation de ce type de kit sont fournies dans un document séparé.

Le kit de rack RapidRails peut être installé dans la plupart des armoires rack standard.



**AVIS** : le kit de rack VersaRails est prévu pour être installé par des techniciens de maintenance qualifiés dans un rack conforme aux spécifications des organismes suivants : American National Standards Institute (ANSI)/Electronic Industries Association (EIA) standard ANSI/EIA-310-D-92, International Electrotechnical Commission (IEC) 297 et Deutsche Industrie Norm (DIN) 41494. Un kit de rack est nécessaire pour chaque système installé dans le rack.

### Avant de commencer

Avant de commencer à installer le rack, lisez attentivement les informations importantes sur la sécurité figurant au début de ce guide, ainsi que les consignes de sécurité du *Guide d'informations sur le produit*.




**ATTENTION** : lorsque vous installez plusieurs systèmes dans un rack, effectuez toutes les procédures s'appliquant au système en cours avant d'essayer d'installer le système suivant




**ATTENTION** : les racks peuvent être extrêmement lourds, mais se déplacent assez facilement sur leurs roulettes. Cependant, ils ne possèdent pas de système de freinage. Procédez par conséquent avec la plus grande prudence pour déplacer un rack. Rentez ses pieds de mise à niveau lorsque vous le changez d'emplacement. Evitez de le déplacer le long de rampes ou de plans inclinés trop longs ou trop abrupts, sur lesquels il pourrait vous échapper. Ressortez les pieds de mise à niveau lorsqu'il est nécessaire de soutenir l'armoire ou pour lui éviter de glisser sur ses roulettes.


## Informations importantes sur la sécurité

Respectez les précautions décrites dans les sous-sections suivantes lors de l'installation de votre système dans le rack.

 **ATTENTION** : vous devez respecter à la lettre les procédures de ce document afin de garantir votre propre protection ainsi que celle d'autrui. Votre système peut être très lourd et volumineux. Une préparation et une planification adéquates sont donc importantes afin d'éviter tout risque de blessure pour vous-même ou autrui. Ces précautions prennent d'autant plus d'importance au fur et à mesure que le rack est rempli, de bas en haut.

### Pieds stabilisateurs du rack

 **ATTENTION** : l'installation de systèmes dans un rack en l'absence de pieds stabilisateurs avant et latéraux peut provoquer le basculement du rack, et comporte dans certaines situations un risque de blessures. C'est pourquoi il faut toujours installer les pieds stabilisateurs avant d'installer les composants du rack.

 **ATTENTION** : après avoir installé des systèmes dans un rack, ne faites jamais coulisser hors du rack plus d'un système à la fois. Le poids de plusieurs systèmes sortis du rack risquerait de le faire basculer et de blesser quelqu'un gravement.

Les stabilisateurs évitent au rack de basculer lorsqu'un système ou composant est totalement sorti du rack sur ses glissières. Consultez la documentation fournie avec l'armoire rack pour savoir comment installer et fixer les pieds stabilisateurs.

## Tâches d'installation

Pour installer un kit de rack, vous devez effectuer les tâches suivantes dans l'ordre indiqué :

- 1 Retrait des portes du rack
- 2 Marquage du rack (si nécessaire)
- 3 Installation des rails dans le rack :
  - Installation du kit RapidRails
  - Installation du kit VersaRails
- 4 Installation du système dans le rack
- 5 Installation du bras de maintien des câbles
- 6 Routage des câbles
- 7 Remise en place des portes du rack

## Outils et fournitures recommandés

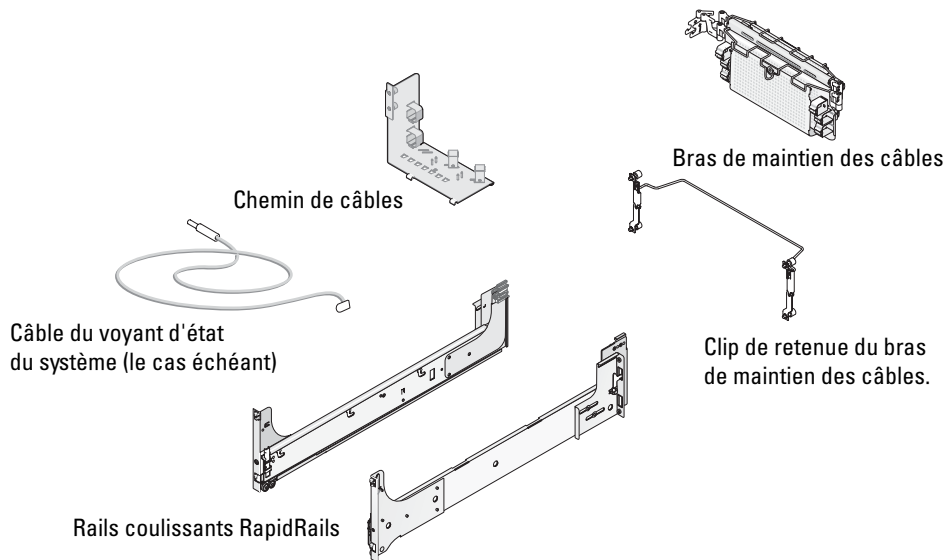
- Tournevis Phillips n°2
- Un tournevis Torx T-10 (pour installer le kit de conversion de tour en rack)
- De la bande protectrice adhésive ou un stylo feutre pour marquer les trous de montage à utiliser
- Une règle ou un mètre-ruban

## Contenu du kit de rack RapidRails

Le kit de rack RapidRails comprend les éléments suivants (voir la figure 2-1) :

- Une paire de rails coulissants RapidRails
- Un bras de maintien des câbles
- Un clip de retenue du bras de maintien des câbles
- Un chemin de câbles

**Figure 2-1. Contenu du kit de rack RapidRails**





## Contenu du kit de rack VersaRails

Le kit de rack VersaRails comprend les éléments suivants (voir la figure 2-2) :

- Une paire de rails coulissants VersaRails
- Un bras de maintien des câbles
- Un clip de retenue du bras de maintien des câbles
- Un chemin de câbles
- Huit vis à tête Phillips 10-32 x 0,5 pouce


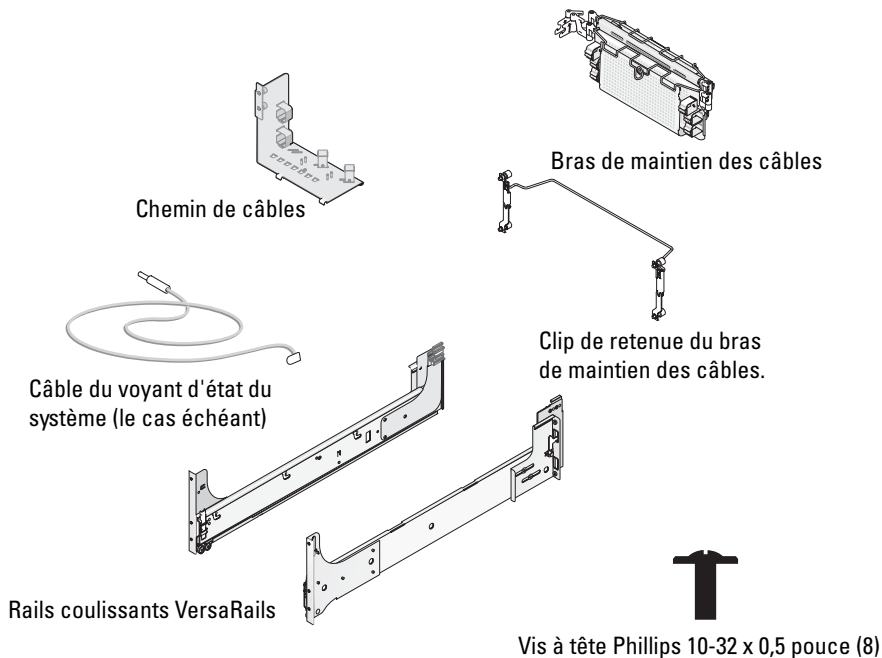
 **REMARQUE** : les vis au pas non métrique décrites dans les illustrations et dans les étapes des procédures sont identifiées par la taille et le nombre de filets par pouce. Par exemple, une vis à tête Phillips n°10 avec 32 filets par pouce est désignée par l'appellation vis 10-32.

Figure 2-2. Contenu du kit de rack VersaRails



## Retrait des portes du rack

Reportez-vous aux procédures de retrait des portes dans la documentation fournie avec votre armoire rack.

**⚠ ATTENTION** : compte tenu de leur poids et taille, ne retirez ou n'installez jamais les portes tout seul.

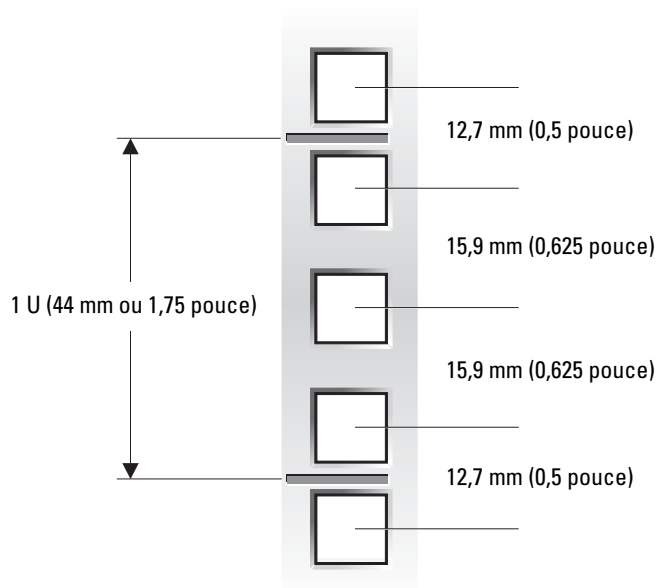
**⚠ ATTENTION** : placez les deux portes dans un endroit sûr où elles ne risquent pas de tomber accidentellement et de blesser quelqu'un.

## Marquage du rack

**✍ REMARQUE** : Il se peut que votre rack soit déjà marqué, auquel cas cette procédure est inutile.

Vous devez laisser un espace vertical de 5 U (8,75 pouces) pour chaque système installé dans le rack (voir la figure 2-3).

Figure 2-3. Une unité de rack



**⚠ ATTENTION** : si vous installez plusieurs systèmes, placez les rails coulissants de façon à ce que le premier système soit disposé le plus bas possible dans le rack.

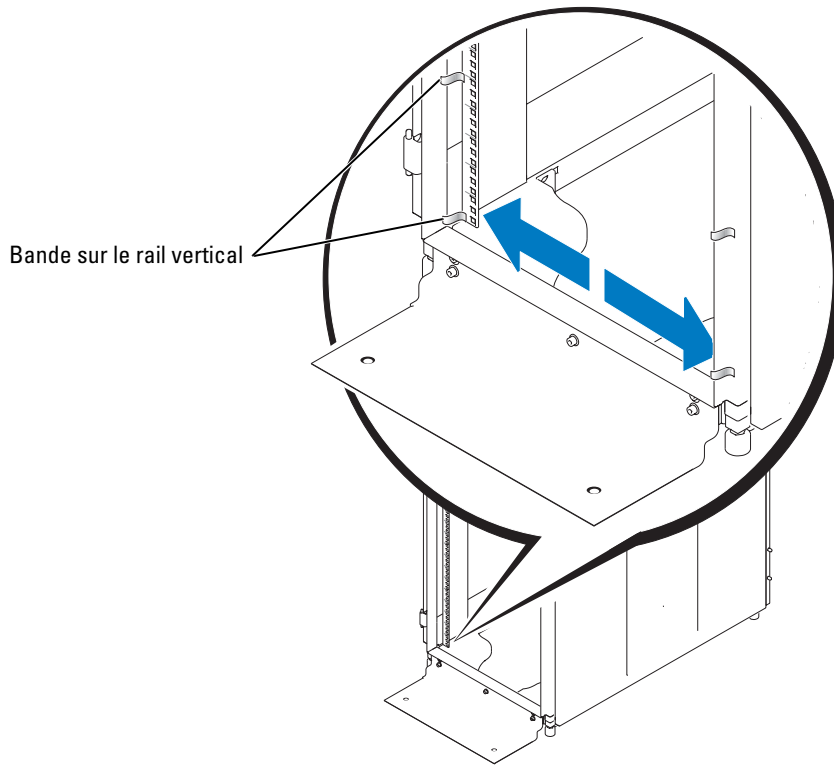
Pour marquer le rack, procédez comme suit :

- 1 Placez une marque sur les rails verticaux avant du rack, à l'endroit correspondant au bas du système à installer dans l'armoire rack.

Le bas de chaque espace de 1 U se trouve au milieu de la zone métallique la plus étroite située entre les trous (repérée par une ligne horizontale sur certaines armoires rack, voir la figure 2-4).

- 2 Placez une marque à environ 8,75 pouces au-dessus de la marque originale que vous avez faite (ou comptez jusqu'à 15 trous dans les racks de type EIA-310), puis marquez les rails verticaux du rack avec un stylo feutre ou de la bande protectrice adhésive (si vous avez compté les trous, placez une marque juste au-dessus du trou du haut). Cette marque ou ce morceau de bande adhésive indique l'endroit où le rebord supérieur du système sera installé sur les rails verticaux (voir la figure 2-4).

**Figure 2-4. Marquage des rails verticaux**



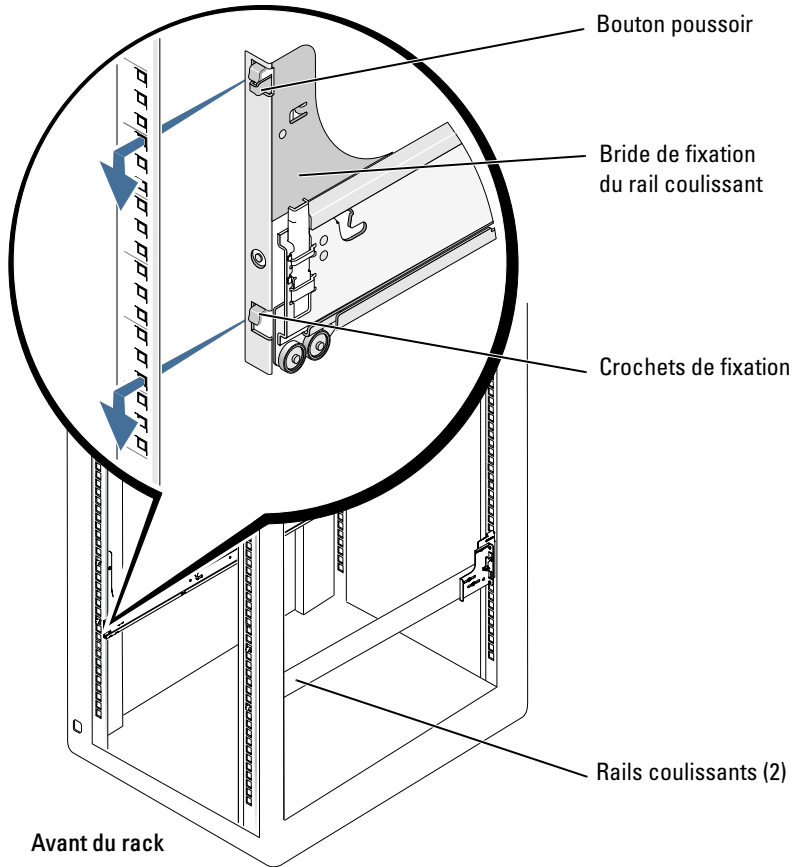
## Installation des rails coulissants RapidRails

- 1 À l'avant de l'armoire rack, positionnez l'un des rails RapidRails de façon à ce que sa plaque de fixation soit à l'endroit voulu sur le rack (voir la figure 2-5).  
Le crochet de fixation supérieur sur la bride de fixation avant du rail doit pénétrer dans le trou supérieur situé entre les marques faites sur les rails verticaux.
- 2 Poussez le rail coulissant vers l'avant jusqu'à ce que le crochet de fixation supérieur pénètre dans son trou carré juste sous les marques supérieures ou la bande placée sur le rail vertical. Ensuite, appuyez vers le bas sur la bride de fixation jusqu'à ce que le crochet de fixation s'enclenche dans les trous carrés et que le bouton-poussoir ressorte avec un déclic (voir la figure 2-5).
- 3 À l'arrière de l'armoire, tirez la bride de fixation vers l'arrière jusqu'à ce que les crochets de fixation soient dans les trous voulus, puis appuyez vers le bas sur la bride de fixation jusqu'à ce que les crochets s'enclenchent dans les trous carrés et que le bouton-poussoir ressorte avec un déclic.
- 4 Répétez les étapes 1 à 3 pour le rail coulissant de l'autre côté du rack.



**REMARQUE** : vérifiez que les rails sont placés à la même hauteur de chaque côté du rack.

**Figure 2-5. Installation des rails coulissants RapidRails**



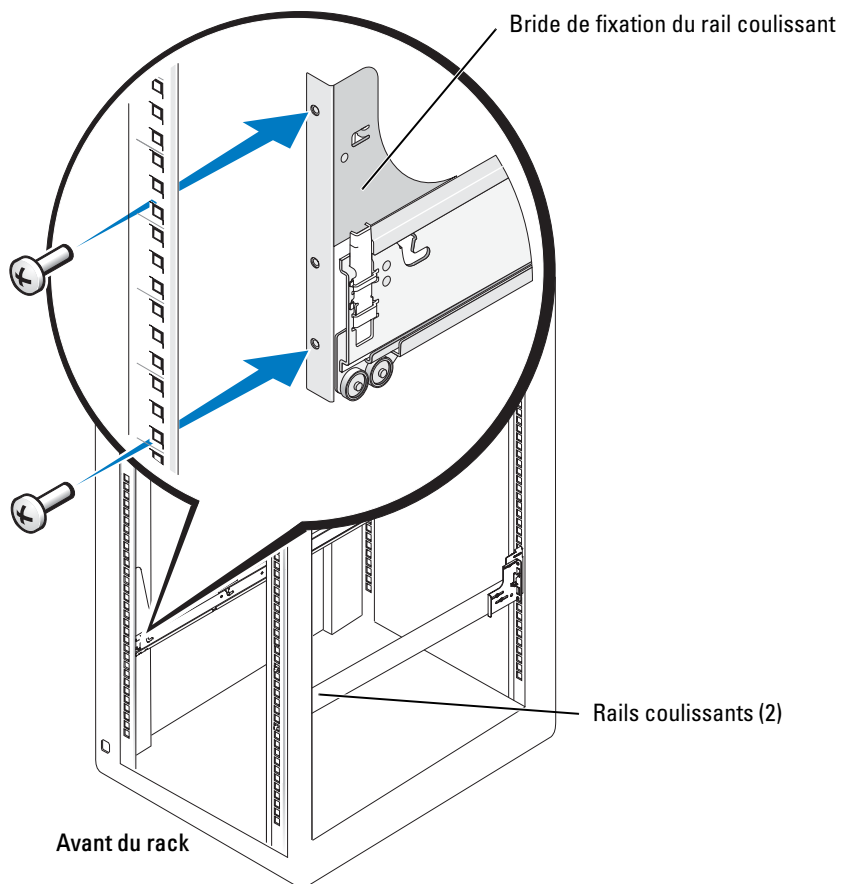
## Installation des rails coulissants VersaRails

- 1 A l'avant du rack, positionnez l'un des rails coulissants VersaRails de façon à ce que la bride de fixation soit située entre les marques ou la bande adhésive (ou l'emplacement numéroté) sur le rack (voir la figure 2-6).  
Les trous à l'avant de la bride de fixation doivent correspondre avec les trous entre les marques faites sur le rail vertical avant.
- 2 Insérez deux vis Phillips à tête plate 10-32 x 0,5 dans le trou du haut et dans le trou du bas (voir la figure 2-6).
- 3 À l'arrière de l'armoire, tirez sur la plaque de fixation jusqu'à ce que les trous de montage s'alignent avec les trous respectifs sur le rail vertical arrière.

- 4 Insérez deux des vis Phillips 10-32 x 0,5 dans le premier et le troisième trou de la plaque de fixation arrière, afin de fixer le rail coulissant au rail vertical arrière.
- 5 Répétez les étapes 1 à 4 pour le rail coulissant de l'autre côté du rack.

 **REMARQUE** : vérifiez que les rails sont placés à la même hauteur de chaque côté du rack.

**Figure 2-6. Installation des rails VersaRails**



## Installation du système dans le rack

**⚠ ATTENTION : si vous installez plusieurs systèmes, installez le premier le plus bas possible dans le rack.**

**⚠ ATTENTION : ne retirez jamais plusieurs composants du rack en même temps.**

**1** Tirez à fond les deux rails coulissants intérieurs hors du rack jusqu'à ce qu'ils soient bloqués.

**⚠ ATTENTION : en raison de la taille et du poids du système, n'essayez jamais de l'installer tout seul dans les rails coulissants.**

**2** Soulevez le système et placez-le dans la bonne position.

L'opération doit être réalisée par au moins deux personnes. L'une d'entre elles doit placer une main sur la partie inférieure avant du système, l'autre doit placer sa main sur la partie inférieure arrière.

**3** Soulevez l'avant du système tout en alignant les vis à épaulement arrière, sur les côtés du système, avec les fentes arrière des rails coulissants (voir la figure 2-7).

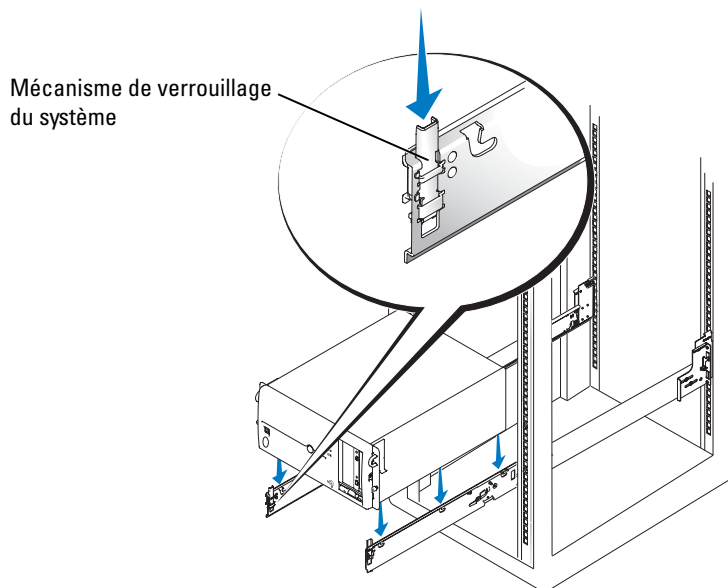
**4** Engagez la vis à épaulement arrière dans la fente située juste derrière le loquet de dégagement du rail coulissant, puis engagez la vis centrale et celle de l'avant.

**5** Poussez le système vers l'intérieur sur les rails coulissants jusqu'à ce que le mécanisme s'enclenche, verrouillant ainsi les rails coulissants sur le système (voir la figure 2-7).

**6** Tirez les loquets de dégagement vers le haut et poussez le système dans le rack.

**7** Resserrez les vis à molette sur le panneau avant du rack.

**Figure 2-7. Installation du système dans le rack**



## Installation du bras de maintien des câbles

Cette procédure s'exécute en deux phases. Vous devez d'abord installer le chemin de câbles à l'arrière du châssis du système. Vous pouvez installer le bras de maintien des câbles de chaque côté du chemin de câbles.

### Installation du chemin de câbles

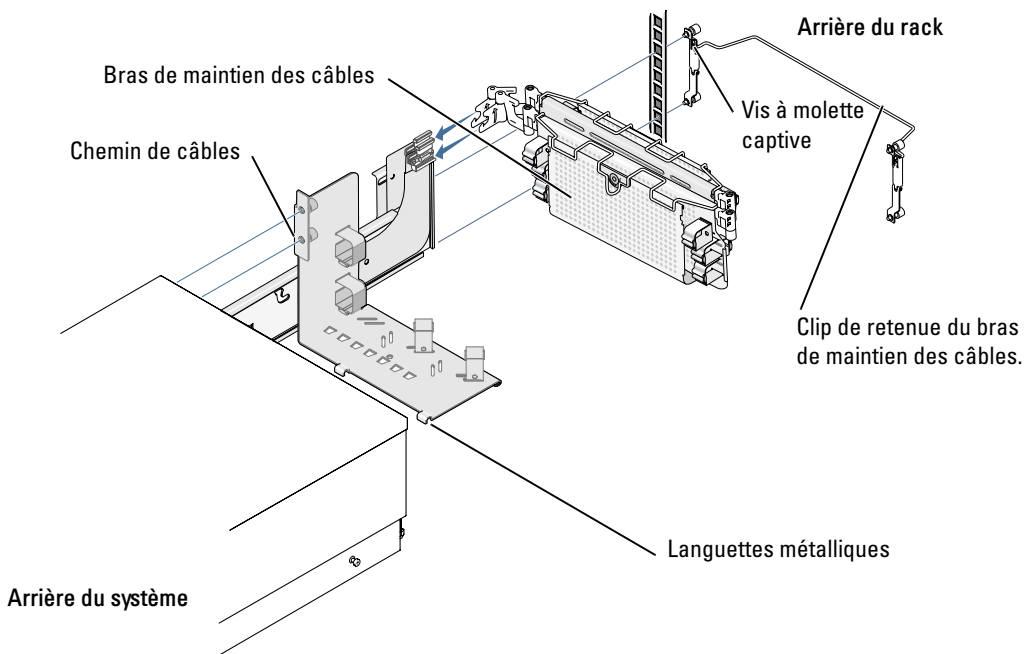
Fixez le chemin de câble au châssis du système à l'aide de quatre des languettes métalliques situées à l'arrière du chemin et de deux vis Phillips à tête plate 6-32 x 0,25 pouce (voir la figure 2-8).

**⚠ ATTENTION :** le chemin de câbles ne peut pas supporter le poids du système. Ne tirez pas sur le chemin de câble pour soulever le système. Soulevez le système uniquement par les bords du châssis.

### Fixation du bras de maintien des câbles

- 1 En vous plaçant face à l'arrière de l'armoire rack, repérez la languette à l'extrémité du rail coulissant (voir la figure 2-8).

Figure 2-8. Installation du bras de maintien des câbles



- 2 Poussez la languette à l'extrémité arrière du bras de maintien des câbles pour la faire pénétrer dans le loquet à l'extrémité du rail coulissant (voir la figure 2-8).  
Le loquet émet un déclic lorsqu'il s'enclenche.



3 Poussez la languette à l'extrémité avant du bras de maintien des câbles pour la faire pénétrer dans le loquet correspondant sur le segment interne du rail coulissant (voir la figure 2-8).

Le loquet émet un déclic lorsqu'il s'enclenche.


4 Insérez la fiche du câble de voyant d'état dans son connecteur (voir la figure 2-9).

5 Ouvrez les protège-câbles sur le bras de maintien en soulevant le centre du protège-câbles au-dessus du bouton rond embouti sur le devant, sur la partie avant du bras, et au-dessus de l'autre bouton rond similaire, sur la partie arrière du bras.

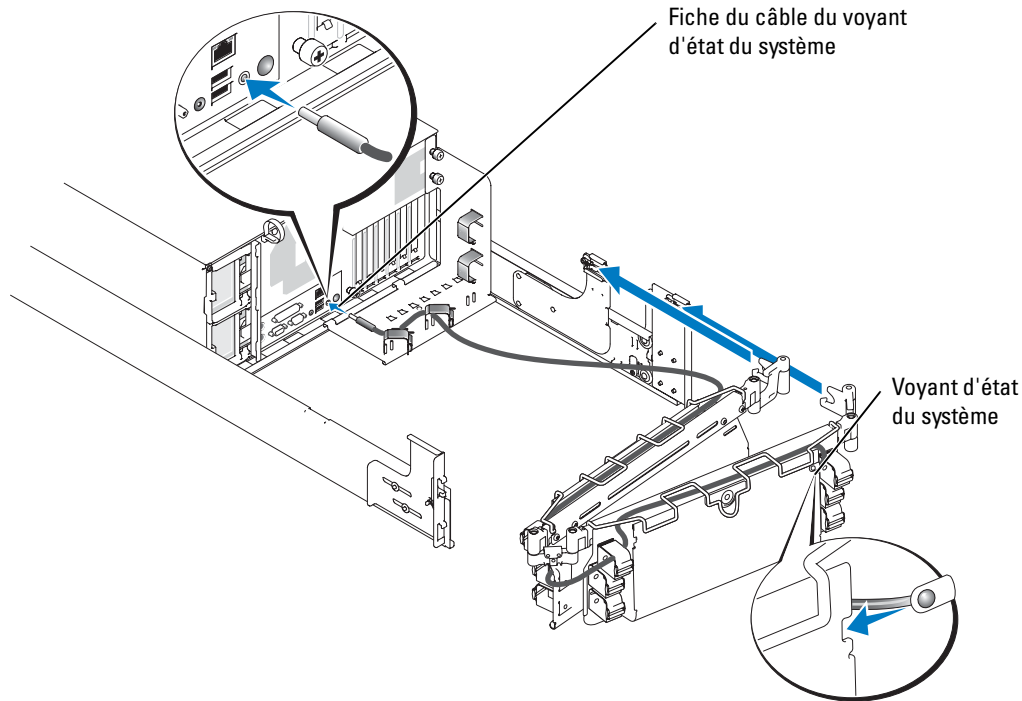
Le protège-câbles pivote et s'ouvre pour permettre de placer les câbles dans le bras.

6 Faites passer l'extrémité du câble du voyant d'état dans le bras de maintien des câbles, puis installez le voyant dans sa fente à l'extrémité arrière du bras (voir la figure 2-9).

7 Branchez les câbles d'alimentation sur leurs connecteurs en face arrière du système.

 **REMARQUE :** Utilisez les boucles des serre-câbles (si elles sont présentes), à l'arrière du système, pour fixer les câbles d'alimentation.

**Figure 2-9. Installation du câble du voyant d'état du système, le cas échéant**



- 8 Branchez les cordons d'alimentation dans leurs connecteurs sur le panneau arrière (voir la figure 2-10).



**ATTENTION : laissez un peu de mou à chaque câble lorsque vous le passez autour des charnières du bras de maintien des câbles.**

- 9 Branchez les connecteurs des câbles d'E/S sur les connecteurs correspondants en face arrière du système .
- 10 Branchez les connecteurs des câbles d'E/S sur les connecteurs correspondants en face arrière du système .

Pour obtenir plus de détails sur le branchement des câbles, reportez-vous au Guide *Installation et dépannage* et au *Guide de l'utilisateur*.

- 11 Faites passer le cordon d'alimentation et les câbles d'E/S dans le bras de maintien des câbles, à l'aide de quatre attache-câbles détachables peu serrées (deux au centre et un à chaque extrémité du bras). À ce stade, ne serrez pas encore à fond les attache-câbles (voir la figure 2-10).

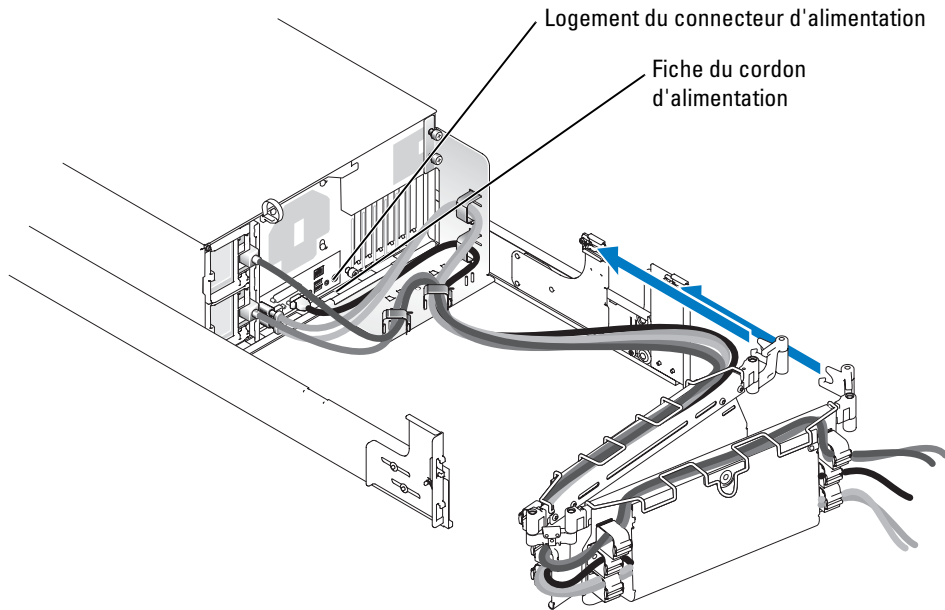
Laissez un peu de mou aux câbles dans le bras, afin d'éviter de les endommager.

- 12 Fixez les câbles sur le bras de maintien des câbles :
  - a Après avoir branché les câbles au système, dévissez les vis à molette fixant l'avant du système au rail vertical avant.
  - b Sortez le système vers l'avant, en position étendue maximale.
  - c Faites passer les câbles le long du bras de maintien. Réglez si nécessaire le mou à hauteur des charnières, puis fixez les câbles au bras de maintien à l'aide des attache-câbles. Enfin, rabattez les fixe-câbles sur le bras de maintien des câbles.



**REMARQUE :** lorsque vous tirez le système au maximum, les charnières vont se verrouiller dans cette position. Pour replacer le système dans le rack, appuyez sur le loquet de déverrouillage sur le côté du rail coulissant, puis repoussez le système à fond dans le rack.

**Figure 2-10. Routage des cordons d'alimentation**



- 13** Poussez le système dans le rack puis ressortez-le, pour vérifier que les câbles sont installés correctement et ne se bloquent pas, ne se tendent pas et ne se coincent pas lors du déplacement du bras de maintien des câbles.
- 14** Ouvrez le protège-câbles du bras de maintien et serrez les bandes juste ce qu'il faut pour que le mou des câbles ne soit pas trop juste (pour éviter de les pincer) mais suffisant pour éviter qu'ils ne glissent quand le système est tiré puis repoussé dans le rack.
- 15** À l'arrière du rack, fixez la charnière du bras de maintien des câbles à l'aide des vis à molette captives (voir la figure 2-8).

## Remise en place des portes du rack

Pour remettre en place les portes du rack, reportez-vous à la documentation fournie avec les armoires en rack 24 U et 42 U.

L'installation de votre système dans le rack est terminée.



# Index

## B

Bras de maintien des câbles  
roulage des câbles, 2-18

## C

Câbles, 2-18  
Consignes de sécurité, 2-5  
Contenu du kit  
RapidRails, 2-8  
VersaRails, 2-9

## I

Installation  
bras de maintien  
des câbles, 2-16  
système dans le rack, 2-15

## M

Marquage du rack, 2-10

## O

Outils et fournitures  
installation des kits  
de rack, 2-8

## P

Pieds stabilisateurs  
du rack, 2-7  
Portes  
remise en place, 2-19  
retrait, 2-10  
Précautions de montage  
des racks, 2-6

## R

Rack  
marquage, 2-10

## V

VersaRails  
contenu du kit, 2-9



# Rack-Installationsanleitung

# Anmerkungen, Hinweise und Vorsichtshinweise



**ANMERKUNG:** Eine ANMERKUNG enthält wichtige Informationen, mit deren Hilfe Sie Ihren Computer besser nutzen können.



**HINWEIS:** Mit einem HINWEIS wird auf eine mögliche Beschädigung von Hardware oder den Verlust von Daten hingewiesen und erläutert, wie dieses Problem vermieden werden kann.



**VORSICHT: VORSICHT zeigt eine potenziell gefährliche Situation an, die zu Sachschäden, Verletzungen oder zum Tod führen könnte.**

---

**Irrtümer und technische Änderungen vorbehalten.**

**© 2004 Dell Inc. Alle Rechte vorbehalten.**

Eine Reproduktion dieses Dokuments in jeglicher Form ist nur mit vorheriger schriftlicher Genehmigung von Dell Inc. erlaubt.

Marken in diesem Text: *RapidRails* und *VersaRails* sind Marken von Dell Inc.

Andere in diesem Dokument möglicherweise verwendete Marken und Handelsbezeichnungen sind unter Umständen Marken und Namen der entsprechenden Firmen oder ihrer Produkte. Dell Inc. erhebt keinen Anspruch auf Marken und Handelsbezeichnungen mit Ausnahme der eigenen.



# Inhalt

<b>Sicherheitshinweise</b> . . . . .	<b>3-5</b>
SICHERHEIT: Montieren von Systemen im Rack . . . . .	3-5
<b>Installationsanleitung</b> . . . . .	<b>3-6</b>
Bevor Sie beginnen . . . . .	3-6
Ablauf der Installation . . . . .	3-7
Empfohlene Werkzeuge und Zubehör . . . . .	3-7
Inhalt des RapidRails-Rack-Kits . . . . .	3-8
Inhalt des VersaRails-Rack-Kits . . . . .	3-9
<b>Abnehmen der Rack-Türen</b> . . . . .	<b>3-10</b>
<b>Markieren des Racks</b> . . . . .	<b>3-10</b>
<b>Einbau der RapidRails-Gleitschienen</b> . . . . .	<b>3-12</b>
<b>Einbau der VersaRails-Gleitschienen</b> . . . . .	<b>3-13</b>
<b>Montieren des Systems im Rack</b> . . . . .	<b>3-15</b>
<b>Einbau des Kabelführungsarms</b> . . . . .	<b>3-16</b>
Einbau der Kabelführung . . . . .	3-16
Befestigen des Kabelführungsarms . . . . .	3-16
<b>Wiederanbringen der Rack-Türen</b> . . . . .	<b>3-20</b>
Index . . . . .	3-21

## Abbildungen

Abbildung 3-1.	Inhalt des RapidRails-Rack-Kits . . . . .	3-8
Abbildung 3-2.	Inhalt des VersaRails-Rack-Kits . . . . .	3-9
Abbildung 3-3.	Eine Rack-Einheit . . . . .	3-10
Abbildung 3-4.	Markieren der vertikalen Schienen . . . . .	3-11
Abbildung 3-5.	Einbau der RapidRails-Gleitschienen . . . . .	3-13
Abbildung 3-6.	Installation der VersaRails-Schienensätze . . . . .	3-14
Abbildung 3-7.	Installieren des Systems im Rack . . . . .	3-15
Abbildung 3-8.	Einbau des Kabelführungsarms . . . . .	3-16
Abbildung 3-9.	Installieren des Systemstatusanzeigekabels (falls zutreffend) . . . . .	3-18
Abbildung 3-10.	Verlegen der Netzkabel . . . . .	3-19

# Sicherheitshinweise

Beachten Sie die nachfolgenden Sicherheitshinweise, um Ihre eigene Sicherheit zu gewährleisten und eine Beschädigung des Systems sowie der Arbeitsumgebung zu vermeiden. Vollständige Informationen über die Sicherheitsanforderungen finden Sie im *Produktinformationshandbuch*.


## SICHERHEIT: Montieren von Systemen im Rack

Folgende Vorsichtsmaßnahmen dienen der Stabilität und Sicherheit des Racks.

Systeme gelten als Komponenten in einem Rack. Der Begriff „Komponente“ kann also ein beliebiges System oder verschiedene Peripheriegeräte oder Zusatzhardware bezeichnen.

 **VORSICHT:** Werden Systemkomponenten in einem Rack installiert, an dem die vorderen und seitlichen Stabilisatoren fehlen, kann das Rack umkippen, was unter Umständen schwere Verletzungen zur Folge haben kann. Befestigen Sie daher immer zuerst die Stabilisatoren, bevor Sie Komponenten im Rack einbauen.

**Ziehen Sie nach dem Einbau von Systemen/Komponenten in einem Rack niemals mehr als eine Komponente gleichzeitig auf ihren Gleitschienen aus dem Rack. Durch das Gewicht von mehr als einer Komponente kann das Rack umkippen und Verletzungen verursachen.**

 **ANMERKUNG:** Ihr System ist als frei stehende Einheit und für die Verwendung als Komponente in Gestellschränken sicherheitszertifiziert, wobei das Customer Rack Kit verwendet werden muss, wenn sowohl der Gestellschrank als auch das Rack-Kit für Ihr System entwickelt wurden. Der Einbau Ihres Systems und Rack-Kits in anderen Racks wurde von keiner Prüfbehörde untersucht. Die Eignung der endgültigen Kombination von System und Rack-Kit für den Einsatz in einem Gestellschrank müssen Sie in diesem Fall selbst durch eine zertifizierte Prüfbehörde untersuchen lassen. Der Hersteller lehnt jede Haftung und Gewährleistung für solche Kombinationen ab.

- System-Rack-Kits sollten von geschulten Servicetechnikern in einem zugelassenen Rack installiert werden. Wenn Sie das Kit in einem anderen Rack installieren, vergewissern Sie sich, dass das Rack die Spezifikationen erfüllt.
- Bevor Sie an einem Rack arbeiten, vergewissern Sie sich, dass die Stabilisatoren sicher am Rack befestigt sind, fest auf dem Boden aufliegen und dass das gesamte Gewicht des Racks auf dem Boden lastet. Montieren Sie an einem einzelnen Rack vordere und seitliche Stabilisatoren, an mehreren miteinander verbundenen Racks vordere Stabilisatoren, bevor Sie Arbeiten am Rack durchführen.
- Bestücken Sie das Rack immer von unten nach oben, und bauen Sie die schwerste Komponente zuerst in das Rack ein.
- Vergewissern Sie sich, dass das Rack gerade und stabil steht, bevor Sie eine Komponente aus dem Rack ziehen.
- Achten Sie auf Ihre Finger, wenn Sie auf die Schienenverriegelung der Komponente drücken und eine Komponente in das Rack schieben oder aus dem Rack ziehen: Quetschgefahr!
- Wenn Sie eine Komponente in das Rack eingesetzt haben, ziehen Sie die Schienen vorsichtig in eine Verriegelungsposition heraus und schieben Sie dann die Komponente in das Rack.

- Überlasten Sie nicht den AC-Versorgungsstromkreis für das Rack. Die Gesamtlast des Racks sollte 80 Prozent der Nennbelastbarkeit des Stromkreises nicht überschreiten.
- Überprüfen Sie, ob eine ausreichende Luftzufuhr zu den Komponenten im Rack gewährleistet ist.
- Stellen Sie sich beim Durchführen von Arbeiten an Rack-Komponenten nicht auf andere Komponenten/Systeme, und treten Sie auch nicht darauf.

## Installationsanleitung

Diese Installationsanleitung enthält Anweisungen für geschulte Servicetechniker zur Montage eines oder mehrerer Systeme in einem offenen Relaisgestell oder einem Gestellschrank. Das RapidRails™ Rack-Kit lässt sich ohne Werkzeuge in allen Herstellergestellschränken mit Rechtecklöchern installieren, und das VersaRails™ Rack-Kit in den meisten Standardgestellschränken mit Rechteck- oder Rundlöchern. Die Montage der RapidRails- und VersaRails-Rack-Kits verläuft ähnlich. Für jedes im Rack installierte System wird ein Rack-Kit benötigt.



**VORSICHT:** Installieren Sie keine Rack-Kit-Komponenten, die für andere Systeme vorgesehen sind. Verwenden Sie ausschließlich das für Ihr Dell-System konzipierte Rack-Kit. Wenn Sie das Rack-Kit für ein anderes System verwenden, könnte das System beschädigt und Personen verletzt werden.



**ANMERKUNG:** Wenn es sich um ein Tower-System handelt, müssen Sie ein Kit zur Tower-Rack-Umwandlung installieren. Anleitungen zur Installation dieses Kits finden Sie in einem separaten Dokument.

Das RapidRails Rack-Kit lässt sich in den meisten Standardgestellschränken installieren.



**HINWEIS:** Das VersaRails-Rack-Kit muss von geschulten Servicetechnikern in einem Rack installiert werden, das den Spezifikationen des American National Standards Institute (ANSI)/Electronic Industries Association (EIA) Standard ANSI/EIA-310-D-92, der International Electrotechnical Commission (IEC) 297 und der Deutschen Industrie Norm (DIN) 41494 entspricht. Für jedes in einem Rack montierte System wird ein Rack-Kit benötigt.

### Bevor Sie beginnen

Bevor Sie mit der Installation des Systems im Rack beginnen, lesen Sie sorgfältig die Sicherheitshinweise am Anfang dieses Handbuchs sowie die zusätzlichen Sicherheitshinweise im *Produktinformationshandbuch* des Systems.




**VORSICHT:** Wenn Sie mehrere Systeme in einem Rack installieren, beenden Sie alle Prozeduren für das gerade installierte System, bevor Sie das nächste System installieren.



**VORSICHT:** Gestellschränke können sehr schwer sein und leicht auf ihren Rollen wegrollen. Die Schränke haben keine Bremsen. Bewegen Sie das Rack nur mit größter Vorsicht. Fahren Sie die höhenverstellbaren Füße ein, bevor Sie das Rack bewegen. Vermeiden Sie lange bzw. steile Neigungen oder Rampen, auf denen Sie die Kontrolle über das Rack verlieren könnten. Fahren Sie die höhenverstellbaren Füße aus, damit das Rack abgestützt wird und nicht wegrollen kann.

## Wichtige Sicherheitshinweise

Beachten Sie beim Einbau Ihres Systems im Rack die Sicherheitsmaßnahmen in den folgenden Unterabschnitten.

 **VORSICHT:** Befolgen Sie die in diesem Dokument angegebene Vorgehensweise genau, um sich selbst und Ihre Mitarbeiter nicht zu gefährden. Ihr System kann sehr groß und schwer sein. Sie sollten die Installation sorgfältig vorbereiten und planen, um Verletzungen zu vermeiden. Dies gilt besonders, wenn Systeme weiter oben im Rack installiert werden.

## Rack-Stabilisatoren

 **VORSICHT:** Werden Systeme in einem Rack installiert, an dem die vorderen und seitlichen Stabilisatoren fehlen, kann das Rack umkippen, was unter Umständen schwere Verletzungen nach sich ziehen kann. Befestigen Sie daher immer zuerst die Stabilisatoren, bevor Sie Komponenten im Rack installieren.

 **VORSICHT:** Wenn Sie Systeme in einem Rack installiert haben, ziehen Sie niemals mehr als ein System gleichzeitig auf den Gleitschienen aus dem Rack. Durch das Gewicht von mehr als einem herausgezogenen System kann das Rack umkippen, was Verletzungen hervorrufen kann.

Die Stabilisatoren verhindern, dass das Rack umkippt, wenn ein System oder eine andere Komponente auf den Gleitschienen vollständig aus dem Rack gezogen wird. Anleitungen zur Installation und Befestigung der Stabilisatoren finden Sie in der mit dem Gestellschrank gelieferten Dokumentation.

## Ablauf der Installation

Bei der Montage eines Rack-Kits sind die Arbeitsschritte in folgender Reihenfolge auszuführen:

- 1 Abnehmen der Rack-Türen
- 2 Markieren des Racks (falls notwendig)
- 3 Installation der Schienensätze im Rack:
  - Einbau der RapidRails
  - Einbau der VersaRails
- 4 Einbau des Systems im Rack
- 5 Einbau des Kabelführungsarms
- 6 Verlegen der Kabel
- 7 Wiederanbringen der Rack-Türen

## Empfohlene Werkzeuge und Zubehör

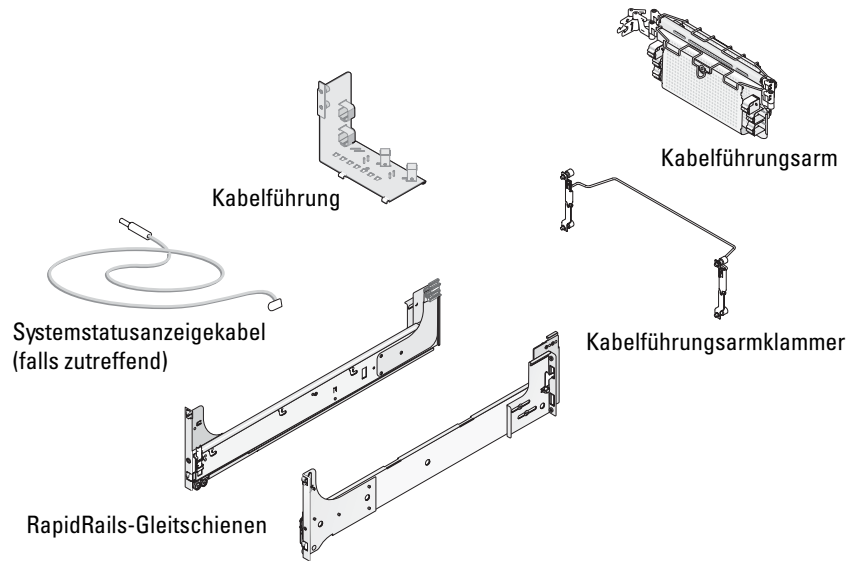
- Einen Kreuzschlitz-Schraubendreher Nr. 2
- Einen Torx T-10-Schraubendreher (bei der Installation des Tower-Rack-Kits)
- Kreppband oder einen Filzstift zur Markierung der verwendeten Montagelöcher
- Einen Maßstab oder ein Maßband

## Inhalt des RapidRails-Rack-Kits

Das RapidRails-Rack-Kit enthält folgende Teile (siehe Abbildung 3-1):

- Ein Paar RapidRails-Gleitschienen
- Ein Kabelführungsarm
- Eine Kabelführungsarmklammer
- Eine Kabelführung


**Abbildung 3-1. Inhalt des RapidRails-Rack-Kits**



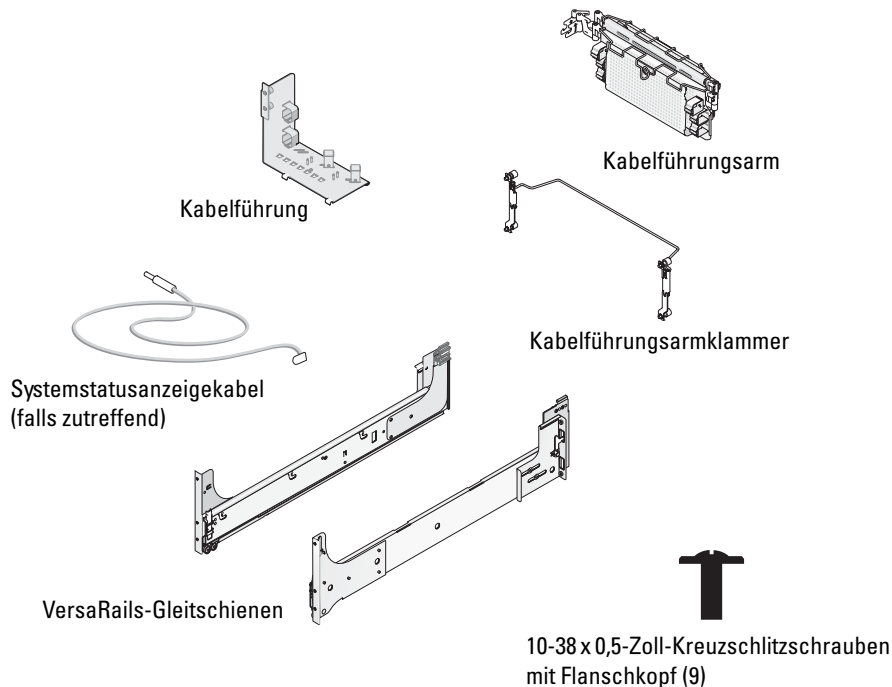
## Inhalt des VersaRails-Rack-Kits

Das VersaRails-Rack-Kit enthält folgende Teile (siehe Abbildung 3-2):

- Ein Paar VersaRails-Gleitschienen
- Ein Kabelführungsarm
- Eine Kabelführungsarmklammer
- Eine Kabelführung
- Acht 10-32 x 0,5-Zoll Kreuzschlitz-Bundschrauben

 **ANMERKUNG:** Die in den Abbildungen und Prozeduren genannten nichtmetrischen Schrauben werden nach ihrer Größe und der Anzahl der Windungen pro Zoll bezeichnet. So wird z. B. eine Kreuzschlitzschraube Nr. 10 mit 32 Windungen pro Zoll als 10-32-Schraube bezeichnet.

**Abbildung 3-2. Inhalt des VersaRails-Rack-Kits**



## Abnehmen der Rack-Türen

Siehe Vorgehensweise zum Entfernen der Türen in der Dokumentation Ihres Racks.

**⚠ VORSICHT:** Wegen der Größe und des Gewichts der Rack-Türen sollten Sie keinesfalls versuchen, sie alleine abzunehmen oder einzubauen.

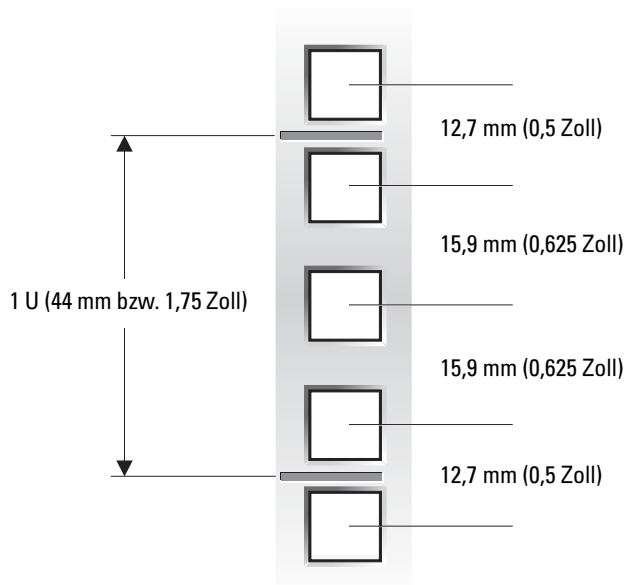
**⚠ VORSICHT:** Verstauen Sie die Türen so, dass niemand verletzt wird, falls sie versehentlich umfallen.

## Markieren des Racks

**✍ ANMERKUNG:** Möglicherweise ist das Rack bereits markiert; in diesem Fall ist kein weiteres Markieren erforderlich.

Jedes im Rack installierte System benötigt 5 U (8,75 Zoll) vertikalen Abstand (siehe Abbildung 3-3).

**Abbildung 3-3. Eine Rack-Einheit**



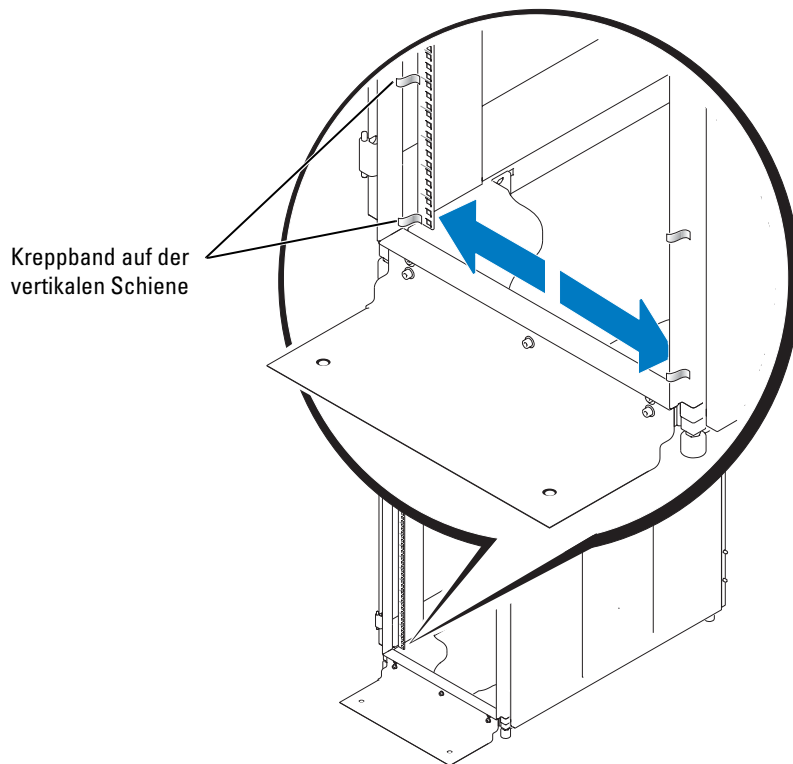
**⚠ VORSICHT:** Wenn Sie mehr als ein System installieren, montieren Sie die Gleitschienen so, dass das erste System in die unterste mögliche Position im Rack zu liegen kommt.



Zum Markieren des Racks gehen Sie wie folgt vor:

- 1 Bringen Sie auf den vorderen vertikalen Schienen des Racks eine Markierung an der Stelle an, an der sich die Unterseite des Systems befinden soll, das Sie in das Rack einbauen möchten.  
Die Unterkante jeder 1-U-Einheit befindet sich in der Mitte des schmalsten Metallstücks zwischen den Löchern (bei einigen Racks mit einer horizontalen Linie gekennzeichnet, siehe Abbildung 3-4).
- 2 Bringen Sie eine Markierung etwa 22,2 cm (8,75 Zoll) über der ursprünglichen Markierung an (oder zählen Sie in einem Rack nach EIA-310-Standard 15 Löcher nach oben). Markieren Sie die vorderen vertikalen Schienen mit einem Filzstift oder einem Stück Kreppband (falls Sie die Löcher gezählt haben, bringen Sie direkt über dem oberen Loch eine Markierung an). Die Markierung bzw. das Kreppband zeigt die spätere Position der Oberkante des Systems an den vertikalen Schienen (siehe Abbildung 3-4).

**Abbildung 3-4. Markieren der vertikalen Schienen**



## Einbau der RapidRails-Gleitschienen

- 1 Setzen Sie eine der RapidRails-Gleitschienen so an der Vorderseite des Gestellschranks an, dass der Montagehalterungsflansch an der korrekten Stelle am Rack eingepasst wird (siehe Abbildung 3-5).

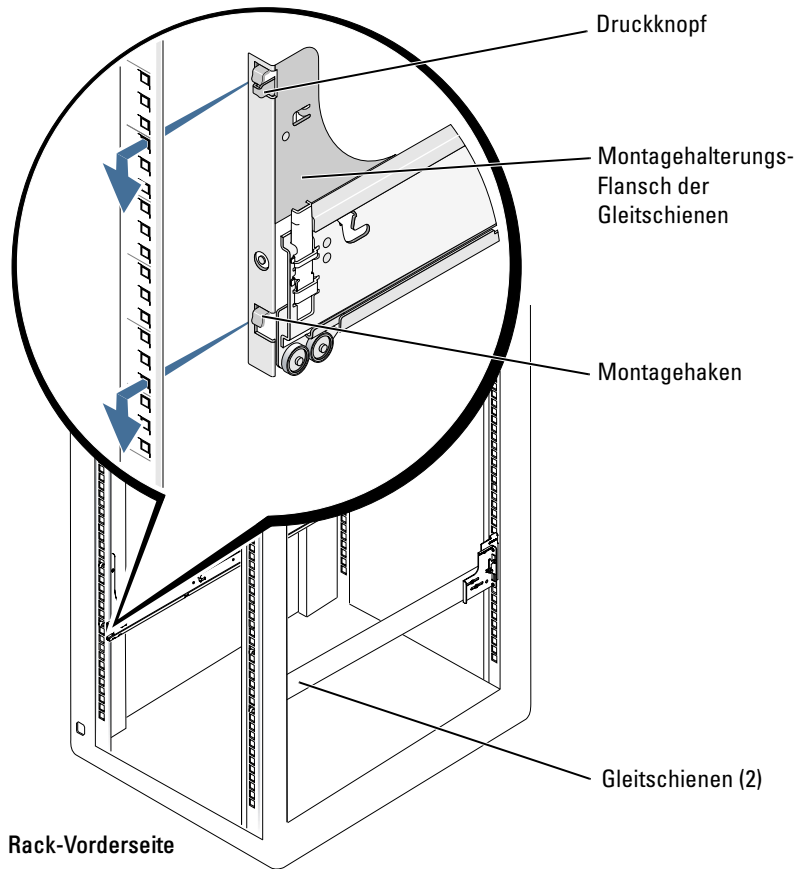
Der obere Montagehaken am vorderen Montagehalterungsflansch des Schienensatzes sollte in das obere Loch zwischen den Markierungen auf den vertikalen Schienen eingreifen.

- 2 Schieben Sie die Gleitschienen nach vorne, bis der obere Montagehaken in das rechteckige Loch unter der oberen Markierung oder dem Kreppband an der vertikalen Schiene einrastet. Drücken Sie danach auf den Flansch der Montagehalterung, bis die Montagehaken in den rechteckigen Löchern einrasten, der Verriegelungsknopf herauspringt und ein Klicken zu hören ist (siehe Abbildung 3-5).
- 3 Ziehen Sie an der Rückseite des Gestellschranks den Flansch der Montagehalterung nach hinten, bis die Montagehaken in die entsprechenden Löcher eingreifen. Drücken Sie dann den Flansch nach unten, bis die Montagehaken in den Rechtecklöchern sitzen und der Verriegelungsknopf herauspringt und einrastet.
- 4 Wiederholen Sie Schritt 1 bis 3 für die Gleitschienen auf der anderen Seite des Racks.



**ANMERKUNG:** Achten Sie darauf, dass die Schienen auf jeder Rack-Seite in der gleichen Höhe an den vertikalen Schienen befestigt werden.

**Abbildung 3-5. Einbau der RapidRails-Gleitschienen**




## Einbau der VersaRails-Gleitschienen

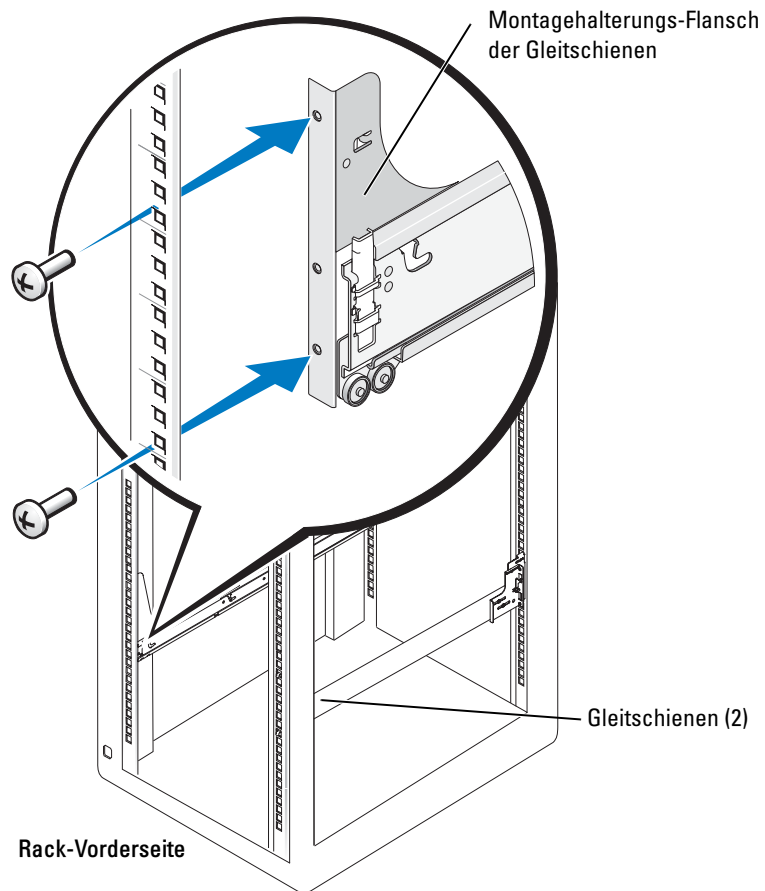
- 1 Setzen Sie eine VersaRails-Gleitschiene so an der Vorderseite des Gestellschranks an, dass der zugehörige Montagehalterungsflansch zwischen den Markierungen (oder nummerierten Stellen) am Rack sitzt (siehe Abbildung 3-6).

Die Löcher an der Vorderseite der Montagehalterung sollten mit den Löchern zwischen den Markierungen an der vorderen vertikalen Schiene übereinstimmen.

- 2 Setzen Sie je eine 10-32 x 0,5 Zoll (1,27 cm) Kreuzschlitz-Bundschraube im oberen und unteren Loch des Montageflanschs ein (siehe Abbildung 3-6).

- 3 Ziehen Sie den Montagehalterungsflansch auf der Rack-Rückseite nach hinten, bis seine Montagelöcher mit den rechteckigen Löchern auf der hinteren vertikalen Schiene übereinstimmen.
  - 4 Befestigen Sie die Gleitschiene durch je eine 10-32 x 0,5 Zoll Kreuzschlitz-Bundschraube im ersten und dritten Loch des Montageflanschs an der hinteren vertikalen Schiene.
  - 5 Wiederholen Sie Schritt 1 bis 4 für die Gleitschienen auf der anderen Seite des Racks.
-  **ANMERKUNG:** Achten Sie darauf, dass die Schienen auf jeder Rack-Seite in der gleichen Höhe an den vertikalen Schienen befestigt werden.

**Abbildung 3-6. Installation der VersaRails-Schienensätze**



## Montieren des Systems im Rack

**⚠ VORSICHT:** Wenn Sie mehr als ein System installieren, installieren Sie das erste System in der untersten möglichen Position im Rack.

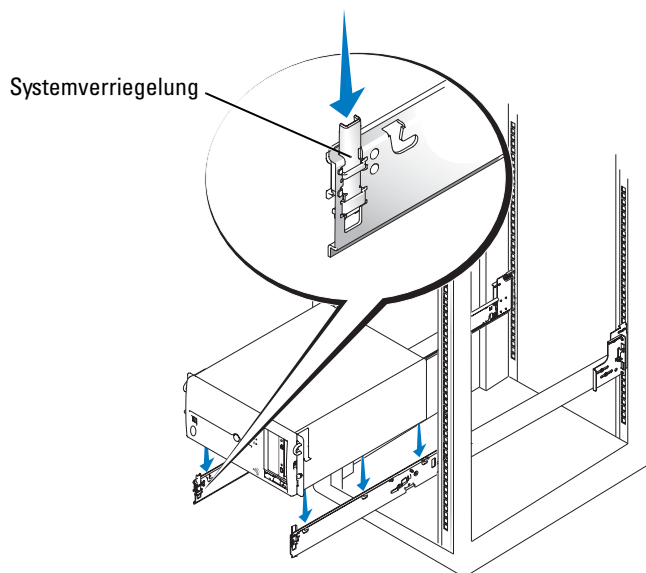
**⚠ VORSICHT:** Ziehen Sie niemals mehr als eine Komponente gleichzeitig aus dem Rack heraus.

- 1 Ziehen Sie die beiden inneren Schiebeeinheiten aus dem Rack, bis sie in der vollständig ausgezogenen Position einrasten.

**⚠ VORSICHT:** Das System ist sehr groß und schwer, so dass es niemals durch eine Einzelperson in den Gleitschienen montiert werden darf.

- 2 Heben Sie das System in Position.  
Mindestens zwei Personen sollten das System dabei mit je einer Hand unter dem vorderen und hinteren Rand anheben.
- 3 Kippen Sie die Vorderseite des Systems nach oben und bringen Sie die hinteren Ansatzschrauben auf den Seiten des Systems mit den hinteren Schlitzen der Gleitschienen in Übereinstimmung (siehe Abbildung 3-7).
- 4 Führen Sie zunächst die hinteren Ansatzschrauben in den Schlitz kurz hinter der Sperrklinke der Gleitschiene und dann die mittleren und vorderen Ansatzschrauben in die jeweiligen Schlitze ein.
- 5 Schieben Sie das System auf den Gleitschienen nach innen, bis die Verriegelung einrastet und das System an der Schiene sichert (siehe Abbildung 3-7).
- 6 Ziehen Sie die Sperrklinken der Gleitschiene nach oben und schieben Sie das System in das Rack.
- 7 Ziehen Sie die Rändelschrauben auf der Frontplatte des Racks fest.

**Abbildung 3-7. Installieren des Systems im Rack**



## Einbau des Kabelführungsarms

Diese Prozedur besteht aus zwei Phasen. Befestigen Sie zuerst die Kabelführung an der Rückseite des Systemgehäuses. Befestigen Sie dann den Kabelführungsarm auf der anderen Seite der Kabelführung.

### Einbau der Kabelführung

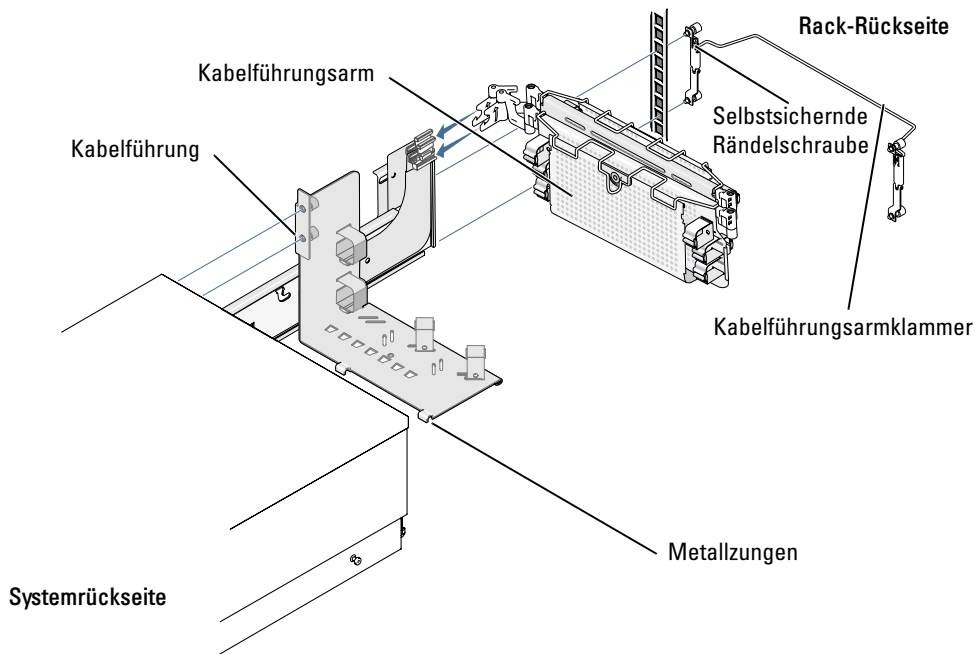
Befestigen Sie die Kabelführung am Systemgehäuse, indem Sie vier der Metallklammern am Boden der Kabelführung und zwei 6-32 x 0,25-Zoll Sechskant-Kreuzschlitzschrauben verwenden (siehe Abbildung 3-8).

**⚠ VORSICHT:** Die Kabelführung kann nicht das Gewicht des Systems tragen. Heben Sie das System nicht an der Kabelführung an. Heben Sie das System nur an den Gehäusekanten an.

### Befestigen des Kabelführungsarms

- 1 Stellen Sie sich hinter den Gestellschrank, und suchen Sie die Zunge am Ende der Gleitschiene (siehe Abbildung 3-8).

**Abbildung 3-8. Einbau des Kabelführungsarms**



- 2 Drücken Sie die Zunge am hinteren Ende des Kabelführungsarms in die Verriegelung am Ende der Gleitschiene (siehe Abbildung 3-8).  
Der Riegel rastet mit einem Klicken ein.

- 3 Drücken Sie die Zunge am vorderen Ende des Kabelführungsarms in den entsprechenden Riegel im inneren Teil der Gleitschiene (siehe Abbildung 3-8).

Der Riegel rastet mit einem Klicken ein.

- 4 Verbinden Sie Kabelstecker der Systemstatusanzeige mit dem zugehörigen Anschluss (siehe Abbildung 3-9).

- 5 Öffnen Sie die Kabelabdeckungen des Kabelführungsarms, indem Sie die Mitte des Kabels über den gewölbten runden Knopf an der Vorderseite des vorderen Teils des Kabelführungsarms und dann über den ähnlichen Knopf auf der Rückseite des Kabelführungsarms heben.

Die Kabelabdeckung öffnet sich, und die Kabel können innerhalb des Arms verlegt werden.

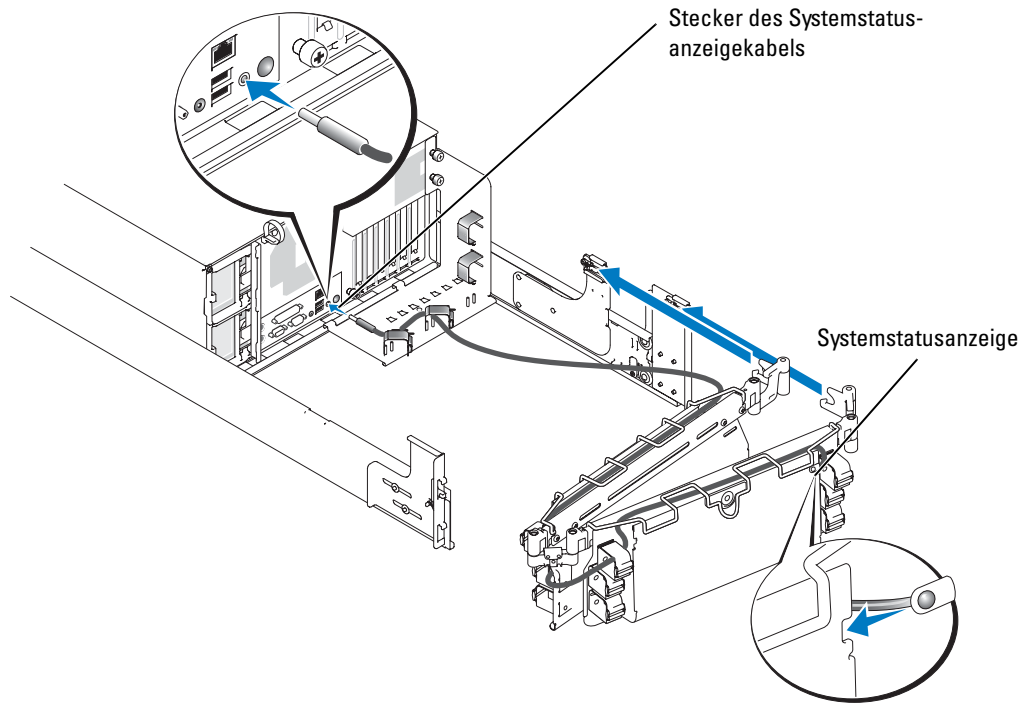
- 6 Führen Sie das Kabelende der Systemstatusanzeige durch den Kabelführungsarm und installieren Sie die Anzeige im dafür vorgesehenen Steckplatz am hinteren Ende des Kabelführungsarms (siehe Abbildung 3-9).

- 7 Verbinden Sie die Netzkabel mit den entsprechenden Anschlüssen an der rückseitigen Systemabdeckung.



**ANMERKUNG:** Verwenden Sie die Zugentlastungsschleife (falls vorhanden) auf der Rückseite des Systems, um die Stromversorgungskabel zu entlasten.

**Abbildung 3-9. Installieren des Systemstatusanzeigekabels (falls zutreffend)**



- 8 Verbinden Sie die Netzkabel mit den entsprechenden Anschlüssen an der rückseitigen Abdeckung (siehe Abbildung 3-10).

**⚠ VORSICHT:** Lassen Sie die Kabel leicht durchhängen, wenn Sie sie um die Scharniere des Kabelführungsarms führen.

- 9 Schließen Sie die E/A-Kabelstecker an die entsprechenden Anschlüsse auf der Rückseite des Systems an.
- 10 Schließen Sie die E/A-Kabelstecker an die entsprechenden Anschlüsse auf der Rückseite des Systems an.

Nähere Informationen zu Kabelverbindungen finden Sie in der *Anleitung zur Installation und Fehlersuche* und im *Benutzerhandbuch*.


- 11 Führen Sie das Netz- und E/A-Kabel durch den Kabelführungsarm. Befestigen Sie sie locker mit vier Kabelbindern (zwei in der Mitte und jeweils einer am Ende des Kabelführungsarms). Ziehen Sie die Kabelbinder jetzt noch nicht vollständig fest (siehe Abbildung 3-10).

Lassen Sie die Kabel im Kabelführungsarm leicht durchhängen, um Beschädigungen an den Kabeln zu verhindern.

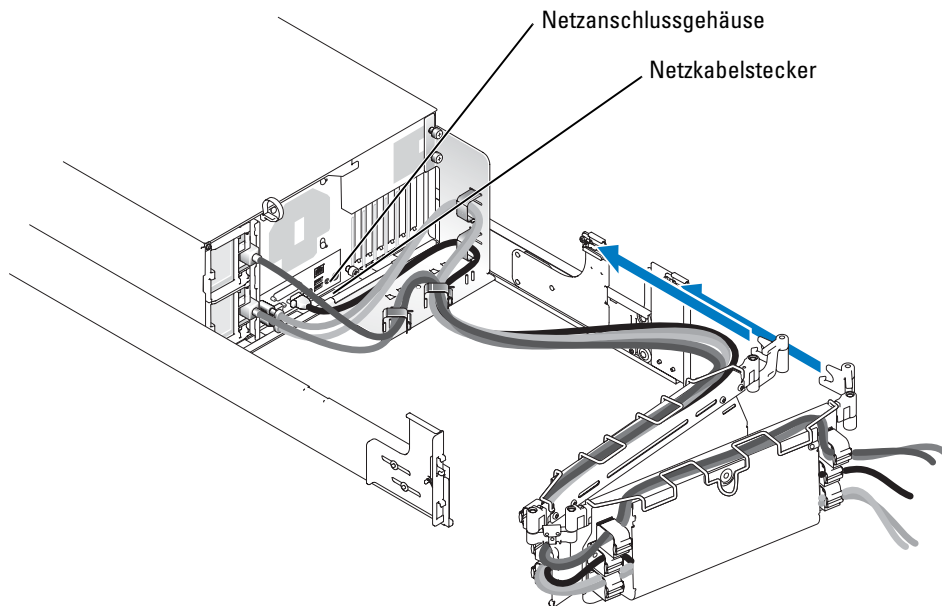


**12** Befestigen der Kabel am Kabelführungsarm:

- a** Wenn Sie die Kabel am System angeschlossen haben, lösen Sie die Rändelschrauben zwischen der System-Vorderseite und der vorderen vertikalen Schiene.
- b** Ziehen Sie das System in die vollständig ausgezogene Position heraus.
- c** Verlegen Sie die Kabel entlang des Kabelführungsarms und sorgen Sie für ausreichend Kabelzuschlag an den Scharnieren. Sichern Sie die Kabel mit den Kabelbindern am Führungsarm, und schließen Sie die Abdeckungen über dem Kabelführungsarm.

 **ANMERKUNG:** Wenn Sie das System vollständig herausziehen, werden die Gleitschienen in der ausgezogenen Position verriegelt. Um das System in das Rack zurückzuschieben, drücken Sie auf die Sperrklinke an der Seite der Gleitschiene und schieben Sie das System dann vollständig in das Rack.

**Abbildung 3-10. Verlegen der Netzkabel**



- 13** Bewegen Sie das System im Rack vor und zurück, um zu überprüfen, ob die Kabel korrekt verlegt sind und bei Bewegung des Kabelführungsarms nicht eingeklemmt, gedehnt oder gequetscht werden.
- 14** Öffnen Sie die Abdeckung des Kabelführungsarms, und ziehen Sie die Klettverschlüsse gerade so fest an, dass der Kabelzuschlag weder zu klein noch zu groß ist, die Kabel aber trotzdem an Ort und Stelle bleiben, wenn das System im Rack bewegt wird.
- 15** Sichern Sie die Kabelführungsarmklammer mit den selbstsichernden Rändelschrauben an der Rückseite des Racks (siehe Abbildung 3-8).

## **Wiederanbringen der Rack-Türen**

Weitere Informationen über das Einsetzen der Türen finden Sie in der den 24-U- und 42-U-Gestellschränken beiliegenden Dokumentation.

Damit ist die Rack-Installation des Systems abgeschlossen.

# Index

## I

Inhaltsliste

RapidRails-Kit, 3-8

VersaRails-Kit, 3-9

Installieren

Kabelführungsarm, 3-16

System im Rack, 3-15

## K

Kabel, 3-19

Kabelführungsarm

Verlegen der Kabel, 3-19

Kit-Inhalt

RapidRails, 3-8

VersaRails, 3-9

## L

Liste, 3-9

## M

Markieren des Racks, 3-10

## R

Rack

Markieren, 3-10

Rack-Stabilisatoren, 3-7

RapidRails-Kit, Inhalt, 3-8

## S

Sicherheitshinweise, 3-5

## T

Türen

auswechseln, 3-20

entfernen, 3-10

## V

VersaRails

Kit-Inhalt, 3-9

Vorsichtsmaßnahmen bei

der Rack-Montage, 3-6

## W




Werkzeuge und Zubehör

Rack-Kits installieren, 3-7



# ラック取り付けガイド

## メモ、注意、警告

-  **メモ**：メモは、コンピュータを使いやすくするための重要な情報を説明しています。
-  **注意**：注意は、ハードウェアの損傷やデータの損失の可能性あることを示し、その危険を回避するための方法を説明しています。
-  **警告**：警告は、物的損害、けが、または死亡の原因となる可能性があることを示します。

---

ここに記載されている内容は予告なく変更されることがあります。  
© 2004 すべての著作権は Dell Inc. にあります。

Dell Inc. の書面による許可のない複写は、いかなる形態においても厳重に禁じられています。

本書で使用されている商標について：*RapidRails* および *VersaRails* は Dell Inc. の商標です。

本書では、必要に応じて上記記載以外の商標および会社名が使用されている場合がありますが、これらの商標や会社名は、一切 Dell Inc. に所属するものではありません。

# 目次

<b>安全にお使いいただくために</b> . . . . .	<b>4-5</b>
安全について：システムのラックへの取り付け . . . . .	4-5
<b>取り付け手順</b> . . . . .	<b>4-6</b>
準備作業 . . . . .	4-6
取り付け手順 . . . . .	4-7
推奨する工具および備品 . . . . .	4-7
RapidRails ラックキットの内容 . . . . .	4-8
VersaRails ラックキットの内容 . . . . .	4-8
<b>ラック扉の取り外し</b> . . . . .	<b>4-9</b>
<b>ラックへの印付け</b> . . . . .	<b>4-10</b>
<b>RapidRails スライドアセンブリの取り付け</b> . . . . .	<b>4-11</b>
<b>VersaRails スライドアセンブリの取り付け</b> . . . . .	<b>4-12</b>
<b>ラックへのシステムの取り付け</b> . . . . .	<b>4-14</b>
<b>ケーブル処理アームの取り付け</b> . . . . .	<b>4-15</b>
ケーブルトレイの取り付け . . . . .	4-15
ケーブル処理アームの固定 . . . . .	4-15
<b>ラック扉の取り付け</b> . . . . .	<b>4-19</b>
<b>索引</b> . . . . .	<b>4-21</b>



図 4-1	RapidRails ラックキットの内容 . . . . .	4-8
図 4-2	VersaRails ラックキットの内容 . . . . .	4-9
図 4-3	1 ラックユニット (1 U) . . . . .	4-10
図 4-4	垂直レールの印付け . . . . .	4-11
図 4-5	RapidRails スライドアセンブリの取り付け . . . . .	4-12
図 4-6	VersaRails レールアセンブリの取り付け . . . . .	4-13
図 4-7	ラックへのシステムの取り付け . . . . .	4-15
図 4-8	ケーブル処理アームの取り付け . . . . .	4-16
図 4-9	システムステータスインジケータ の取り付け (必要に応じて) . . . . .	4-17
図 4-10	電源ケーブルの配線 . . . . .	4-18




## 安全にお使いいただくために

ご自身の身体の安全を守り、システムおよび作業環境を保護するために、以下の安全に関するガイドラインに従ってください。安全に関する詳細な情報については、『システム情報ガイド』を参照してください。


### 安全について：システムのラックへの取り付け

ラックの安定性や安全性に関して、次の点にご注意ください。

システムはラックの一部とみなします。したがって、「コンポーネント」には、さまざまな周辺機器やサポートハードウェアと同様に、システムも含まれます。

 **警告：**ラック前面および横の安定板を取り付けずにシステムを取り付けると、場合によってはラックが転倒し、けがをする恐れがあります。必ず安定板を取り付けてから、ラックにコンポーネントを取り付けてください。

ラックにシステム / コンポーネントを取り付けた後は、一度に複数のコンポーネントをラックのスライドアセンブリを使って引き出さないでください。複数のコンポーネントを同時に引き出すと、重みでラックが転倒し、けがをする恐れがあります。


 **メモ：**お使いのシステムは、独立したユニットとして、また、ラックキャビネットとラックキットがそのシステム用に設計されたものである場合は、カスタマーラックキットを使ってラックキャビネットに設置して使用するためのコンポーネントとして、安全性が保証されています。それ以外のラックキャビネットにシステムおよびラックキットを取り付ける場合は、安全性が保証されません。他のメーカーのキャビネットで、システムやラックキットを組み合わせて使用する場合は、お客様が責任を持って安全性認定機関の適合性評価を受けてください。弊社はこのような組み合わせは保証しておらず、いかなる責任も負いません。


- システムラックキットは、トレーニングを受けたサービス技術者が、規格に適合するラックに取り付けるように設計されています。キットをこれ以外のラックに取り付ける場合は、そのラックが仕様に適合していることを確認してください。
- ラックで作業をする前に、安定板がラックに固定されて床面に伸び、ラックの全重量が床面にかかっていることを確認してください。ラックで作業をする前に、ラックが1つの場合は前面と横の安定板、複数のラックを連結する場合は前面の安定板を取り付けます。
- ラックには必ず下から上へと、最も重いものから順に設置してください。
- コンポーネントをラックから引き出す前に、ラックが水平で安定していることを確認してください。
- レールリリースラッチを押してコンポーネントをラックから出し入れするときは、スライドレールに指をはさまれないように注意してください。
- コンポーネントをラックに挿入したら、レールをロック位置まで静かに伸ばし、コンポーネントをスライドさせてラックに設置します。
- ラックに電力を供給する AC 分岐回路に過重電流を流さないでください。ラックの総負荷が分岐回路定格の 80% を超えないようにしてください。

- ラック内のコンポーネントが十分に通気されることを確認してください。
- ラックに取り付けたコンポーネントの作業中に、他のシステム / コンポーネントの上に乗ったり、足をかけたりしないでください。


## 取り付け手順

このガイドは、トレーニングを受けたサービス技術者が、オープンフレームリレーラックやラックキャビネットに 1 台または複数のシステムを取り付ける作業を行う場合の手順書です。RapidRails™ ラックキットは、角型の穴を使用するメーカーのラックキャビネットに、工具を使わずに取り付けることができます。VersaRails™ ラックキットは、角型または丸型の穴を使用する、業界規格に適合しているほとんどのキャビネットに取り付けることができます。RapidRails と VersaRails ラックキットの取り付け手順はほとんど同じです。ラックキャビネットに取り付けるシステム 1 基ごとにラックキット 1 セットが必要です。

 **警告：**別のシステム用に設計されたラックキットの部品は取り付けしないでください。お使いの Dell システム用のラックキットだけをお使いください。別のシステム用のラックをお使いになると、システムの損傷やけがを招く恐れがあります。


 **メモ：**お使いのシステムがタワー型の場合は、タワー / ラック変換キットを取り付けてください。このキットの取り付け手順については別のマニュアルで説明しています。


RapidRails ラックキットは、統一規格に適合しているほとんどのラックキャビネットに取り付けることができます。

 **注意：**VersaRails ラックキットは、米国規格協会 (ANSI) / 米国電子工業会 (EIA) 規格 ANSI/EIA-310-D92、国際電気標準会議 (IEC) 297、ドイツ工業規格 (DIN) 41494 の仕様を満たすラックについてトレーニングを受けたサービス技術者が取り付けできるように設計されています。ラックキットは、ラックに取り付けるシステム 1 基につき 1 セット必要です。

## 準備作業

システムをラックへ取り付けの前に、このガイドの最初にある「安全にお使いいただくために」、およびお使いのシステムの『製品情報ガイド』マニュアルの安全上の注意をよくお読みください。

 **警告：**複数のシステムをラックに取り付ける場合は、1 台のシステムの取り付け手順を完了してから、次のシステムの取り付けに進んでください。

 **警告：**ラックキャビネットはサイズが非常に大きく重量もあるため、キャスターで簡単に移動できるようになっています。このキャスターにはブレーキがありません。したがってラックキャビネットを移動するときは十分な注意が必要です。ラックキャビネットを別の場所に移動するときは、水平調節用の脚を収納してください。長い傾斜面、急勾配のある場所、スロープなど、バランスが取りにくい場所にはキャビネットを設置しないでください。水平調節用の脚を伸ばしてキャビネットを支え、キャビネットが移動しないようにしてください。

## 安全に関する重要な注意

システムをラックに取り付けるときは、次の各項の安全に関する注意を遵守してください。

**⚠ 警告：** 作業者は、自分自身と関係者を保護するために、本書の手順に必ず従ってください。本システムは非常に重量があり大きいため、自分自身や関係者のけがを防ぐために準備と計画を適切に行うことが重要です。この注意は、特にシステムをラックの高い位置に取り付ける場合に重要になります。

## ラック安定板

**⚠ 警告：** ラック正面および横の安定板を取り付けずにラックにシステムを取り付けると、ラックが転倒し、けがをする恐れがあります。必ず安定板を取り付けてから、ラックにコンポーネントを取り付けるようにしてください。

**⚠ 警告：** ラックにシステムを取り付けた後は、スライドアセンブリ上の複数のシステムを同時にラックから引き出さないでください。引き出された複数のシステムの重みでラックが転倒し、けがをする恐れがあります。

安定板は、スライドアセンブリが伸びきった状態でラックからシステムやその他のコンポーネントを引き出す際に、ラックの転倒を防ぎます。安定板の取り付けおよび固定手順については、ラックキャビネットに同梱されるマニュアルを参照してください。

## 取り付け手順

ラックキットを取り付けるには、次の手順を番号順に行います。

- 1 ラック扉の取り外し
- 2 ラックへの印付け（必要な場合）
- 3 ラックへのレールアセンブリの取り付け：
  - RapidRails の取り付け
  - VersaRails の取り付け
- 4 ラックへのシステムの取り付け
- 5 ケーブル処理アームの取り付け
- 6 ケーブルの配線
- 7 ラック扉の取り付け

## 推奨する工具および備品

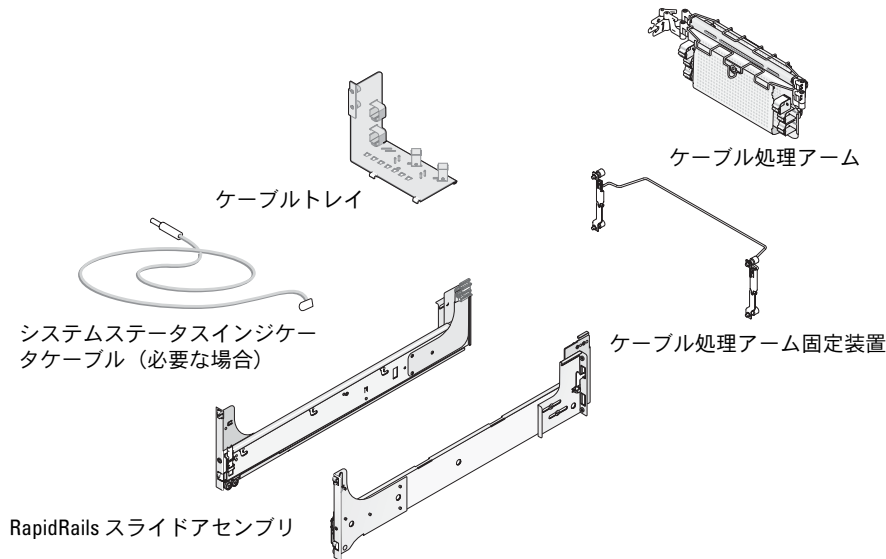
- #2 プラスドライバー
- T-10 Torx ドライバ（タワー - ラック変換キットを取り付ける場合）
- マスキングテープまたはフェルトペン（取り付け穴に印を付けるときに使用）
- 定規または巻尺

## RapidRails ラックキットの内容

RapidRails ラックキットには、以下の部品が含まれています（図 4-1 参照）。

- RapidRails スライドアセンブリ 1 組
- ケーブル処理アーム 1 本
- ケーブル処理アーム固定装置 1 個
- ケーブルトレイ 1 個

図 4-1 RapidRails ラックキットの内容



## VersaRails ラックキットの内容

VersaRails ラックキットには、以下の部品が含まれています（図 4-2 参照）。

- VersaRails スライドアセンブリ 1 組
- ケーブル処理アーム 1 本
- ケーブル処理アーム固定装置 1 個
- ケーブルトレイ 1 個
- 10-32 x 0.5 インチフランジヘッドプラスネジ 8 本


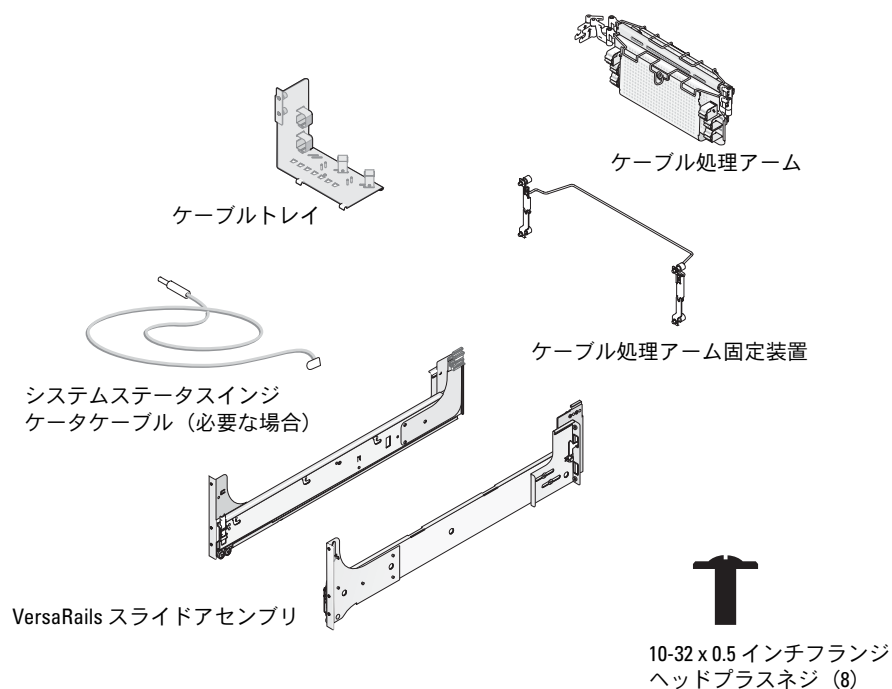
 **メモ：**図と手順の説明に示すメートル法規格以外のネジは、サイズとインチ当たりのネジ山数で表記されています。たとえば 1 インチに 32 本のネジ山がある #10 プラスネジは、10-32 ネジと表記します。

図 4-2 VersaRails ラックキットの内容



## ラック扉の取り外し

ラックキャビネットに同梱のマニュアルに記載されている扉の取り外し手順を参照してください。

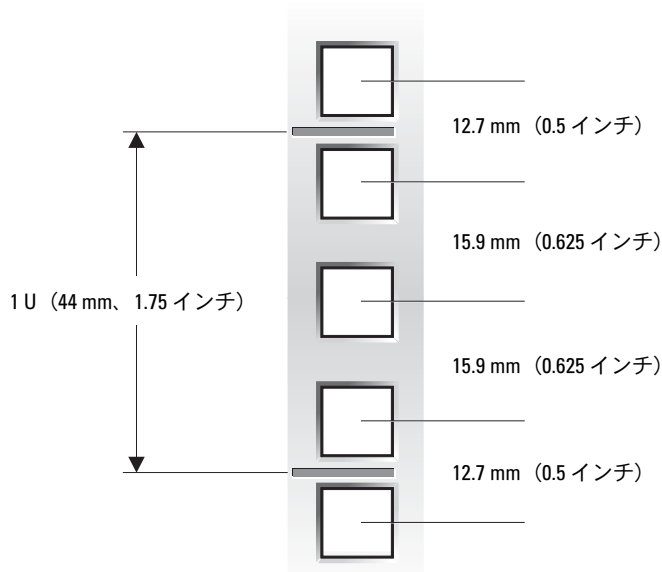
**⚠ 警告：**ラックキャビネットの扉の大きさと重さを考慮して、取り付けおよび取り外しは1人では行わないでください。

**⚠ 警告：**取り外した扉は、不意に倒れてけがをしないような場所に保管してください。

## ラックへの印付け

**メモ**：ラックにすでに印が付けられている場合は、この手順は必要ありません。  
ラックに取り付けるシステムごとに 5 U (8.75 インチ) の垂直スペースが必要です (図 4-3 参照)。

図 4-3 1 ラックユニット (1 U)

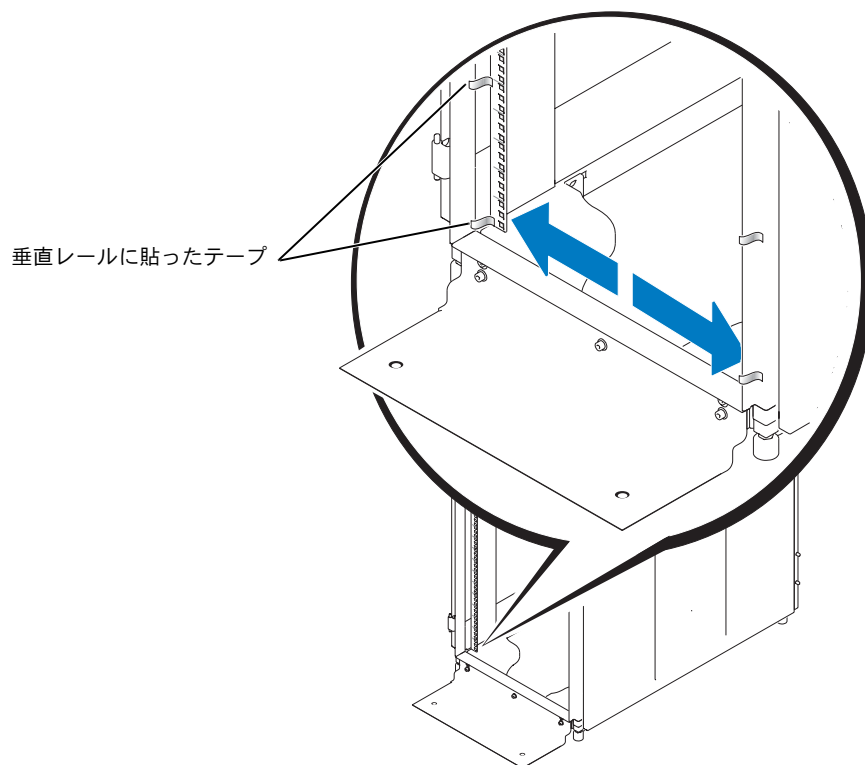


**警告**：複数のシステムを取り付ける場合は、ラックの最下段に 1 基目のシステムを取り付けられるように、スライドアセンブリを取り付けてください。

ラックに印を付けるには、次の手順を行います。

- 1 ラックの前面垂直レール上で、ラックキャビネットに取り付けるシステムの底部の位置を決め、印を付けます。  
底部にあたる各 1 U スペースの位置は、穴と穴の間が狭い方の金属部分の中央です (横線で印が付いているラックキャビネットもあります。図 4-4 参照)。
- 2 最初に印を付けた場所から約 8.75 インチ上 (EIA-310 規格に適合したラックであれば、15 個上の穴) に印を付け、ラックの前部垂直レールにフェルトペンやマスキングテープで印を付けます (穴の数で測った場合は一番上の穴の真上に印を付けます)。垂直レール上のこのマークまたはテープが、システムの上端の位置を示します (図 4-4 参照)。

図 4-4 垂直レールの印付け



## RapidRails スライドアセンブリの取り付け

- 1 ラックキャビネットの前面で、RapidRails スライドアセンブリの取り付けブラケットのフランジが、ラックの適切な場所に収まるように、1つ目のスライドアセンブリの位置を合わせます (図 4-5 参照)。  
レールアセンブリの前部取り付けブラケットフランジの上部取り付けフックを、垂直レールの印の間のスペースにある一番上の穴に差し込みます。
- 2 スライドアセンブリを正面に向かって押して、上部取り付けフックを垂直レールの対応する角型の穴に差し込みます。次に2つの取り付けフックが両方とも角型の穴に入り、押しボタンがカチッという音がして飛び出すまで、取り付けブラケットのフランジを下に押し下ろします (図 4-5 参照)。
- 3 キャビネットの背面で、取り付けブラケットのフランジを後ろに引いて、取り付けフックを対応する穴に差し込み、フランジを下に押し下ろして取り付けフックを角型の穴に固定します。完全に固定されると押しボタンがカチッと飛び出します。

- 4 ラックの反対側にあるもう1つのスライドアセンブリについて、手順1から3を繰り返します。


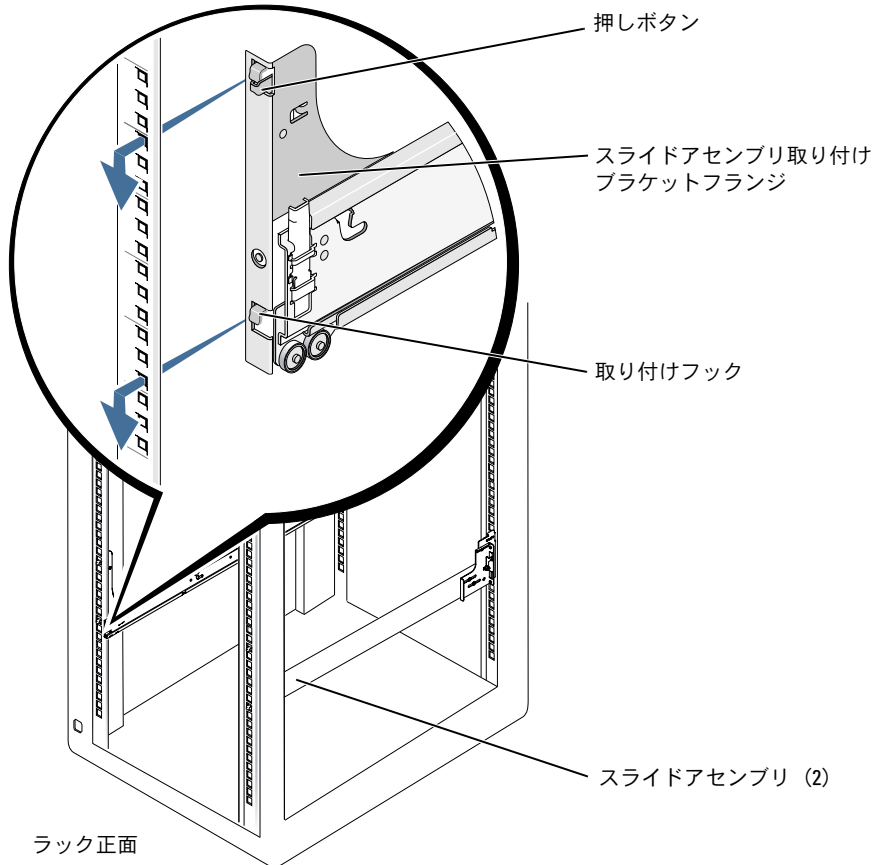
 **メモ**：左右の垂直レールで、取り付け用レールが同じ高さに取り付けられていることを確認します。

図 4-5 RapidRails スライドアセンブリの取り付け



## VersaRails スライドアセンブリの取り付け

- 1 ラックキャビネットの前面で、VersaRails スライドアセンブリの取り付けブラケットのフランジが、ラックに付けた上下の印またはテープ（または数えた穴の位置）の間に収まるように、スライドアセンブリの位置を合わせます（図 4-6 参照）。  
取り付けブラケットの前面の穴を、前部垂直レールに付けた印の間の穴に合わせます。
- 2 10-32 x 0.5 インチフランジヘッドプラスネジ 2 本を、取り付け用フランジの一番上と下の穴に差し込みます（図 4-6 参照）。




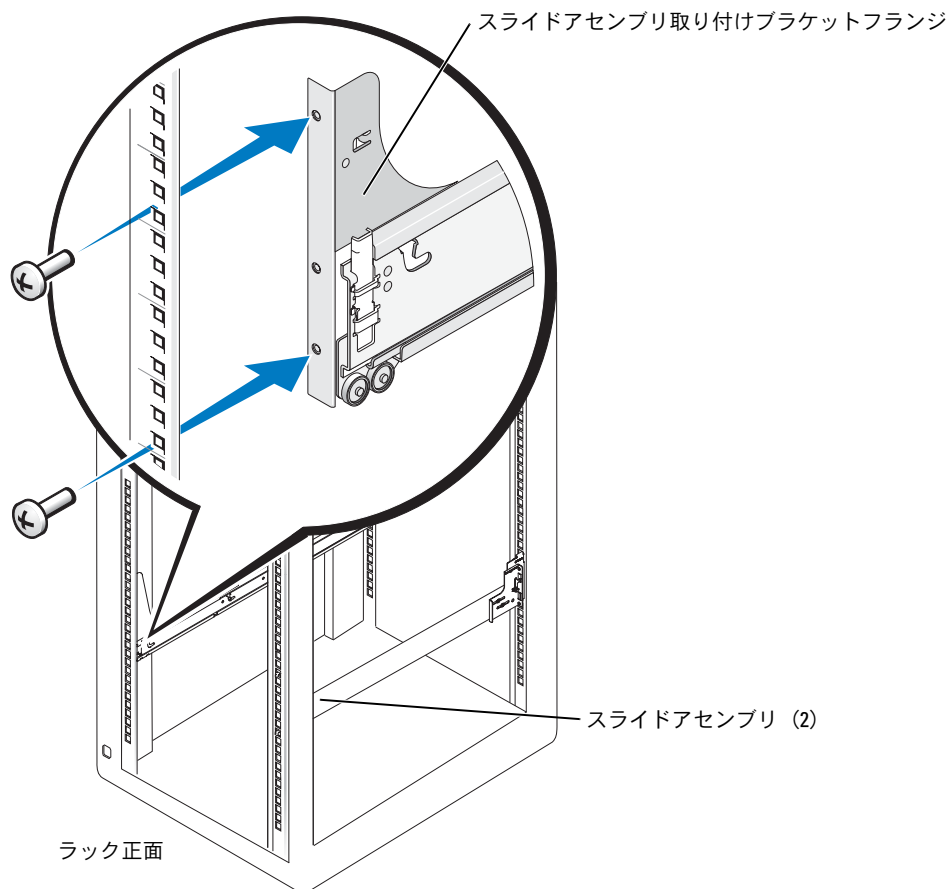

- 3 キャビネットの背面から、取り付けブラケットのフランジを後ろに引いて、取り付け穴を背面垂直レールのそれぞれ対応する穴に合わせます。
  - 4 2本の10-32 x 0.5インチフランジヘッドプラスネジを背面側取り付け用フランジの1番目と3番目の穴に差し込んで、スライドアセンブリを背面垂直レールに固定します。
  - 5 ラックの反対側にあるもう1つのスライドアセンブリについて、手順1から4を繰り返します。
-  **メモ**：左右の垂直レールで、取り付け用レールが同じ高さに取り付けられていることを確認します。

図 4-6 VersaRails レールアセンブリの取り付け




## ラックへのシステムの取り付け

 **警告：**複数のシステムを取り付ける場合は、1基目のシステムをラックの最下段の位置に取り付けてください。

 **警告：**一度に複数の部品をラックから引き出さないでください。

- 1 2つの内側のスライドアセンブリを、完全に伸びきった位置でロックするまでラックから引き出します。

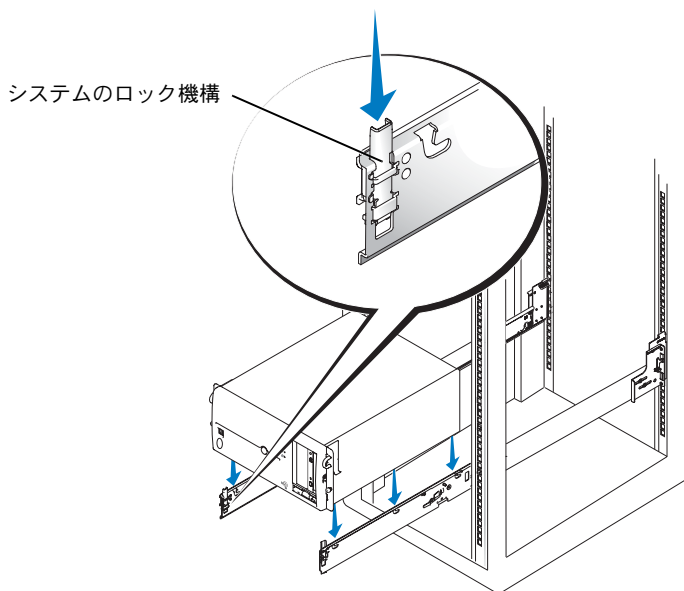
 **警告：**システムの大きさと重さを考慮して、システムのスライドアセンブリへの取り付けは決して1人で行わないでください。

- 2 システムを所定の位置に置きます。

最低2人で、各自が一方の手でシステム前部の底を、もう一方の手でシステム後部の底を持ちます。

- 3 システム側面の背面側肩付きネジを、スライドアセンブリの背面側スロットに合わせながら、システム前部を持ち上げます (図 4-7 参照)。
- 4 背面の肩付きネジをスライドリリースラッチのすぐ後ろにあるスロットにはめ込み、次に中央と前面の肩付きネジをはめ込みます。
- 5 システムをスライドアセンブリの内側に押し込みます。スライドがシステムに完全に固定されると、システムのロック機構がカチッとはまります (図 4-7 参照)。
- 6 スライドリリースラッチのところでシステムを持ち上げて、ラックに押し込みます。
- 7 ラック正面パネルのつまみネジを締めます。

図 4-7 ラックへのシステムの取り付け



## ケーブル処理アームの取り付け

この手順は 2 段階に分けて実行します。はじめにケーブルトレイをシステムシャーシの背面に取り付けます。次にケーブル処理アームをケーブルトレイのどちらかの側面に取り付けます。

### ケーブルトレイの取り付け

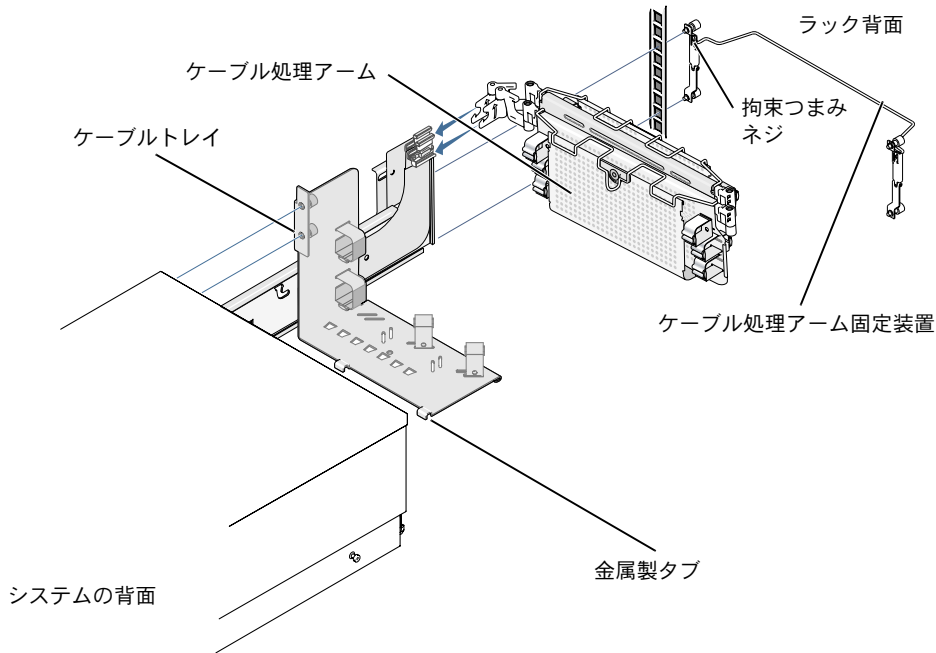
トレイ底部にある 4 個の金属製タブと、2 個の 6-32 x 0.25 インチ六角頭プラスネジを使用して、ケーブルトレイをシステムシャーシに取り付けます (図 4-8 参照)。

**⚠ 警告：**ケーブルトレイは、システムの重量を支えきれません。システムを持ち上げるときはケーブルトレイを持たないでください。システムを持ち上げる際は、必ずシャーシの端を持ってください。

### ケーブル処理アームの固定

- 1 ラックキャビネットの背面に回り、スライドアセンブリの端にあるタブの位置を確認します (図 4-8 参照)。

図 4-8 ケーブル処理アームの取り付け

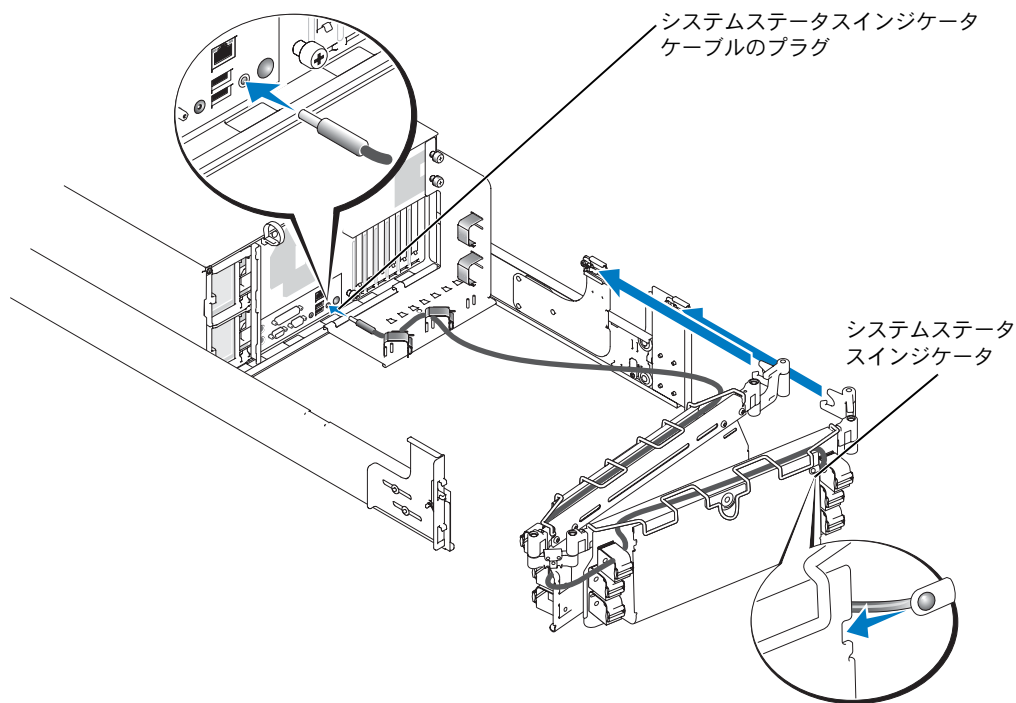


- 2 ケーブル処理アームの後部パーツのタブを、スライドアセンブリ後端の外側のラッチに差し込みます (図 4-8 参照)。  
ラッチがロックされると、カチッという音がします。
- 3 ケーブル処理アームの前部パーツのタブを、スライドアセンブリの内側の対応するラッチに差し込みます (図 4-8 参照)。  
ラッチがロックされると、カチッという音がします。
- 4 システムステータスインジケータケーブルのプラグをコネクタに差し込みます (図 4-9 参照)。
- 5 ケーブル処理アームのワイヤカバーを開きます。まず丸いボタンで固定されている前部パーツの正面ワイヤを中央部分から開き、同じように丸いボタンで固定されている後部パーツのワイヤを開きます。  
ワイヤカバーが自動的に開き、アーム内にケーブルを配線できるようになります。
- 6 ケーブルアセンブリのシステムステータスインジケータ側をケーブル処理アームに通し、ケーブル処理アームの後部パーツにあるスロットに取り付けます (図 4-9 参照)。

7 電源ケーブルをシステムの背面パネルの接続端子に接続します。

**メモ**：ストreinリリースループが付属している場合はシステムの背面に取り付けて、電源ケーブルのストreinリリースを使用できるようにします。

図 4-9 システムステータスインジケータの取り付け（必要に応じて）



8 電源ケーブルを背面パネルの接続端子に接続します（図 4-10 参照）。

**警告**：ケーブルは、ヒンジの動きを妨げないように多少余裕を持たせながらケーブル処理アームに通してください。

9 I/O ケーブルコネクタを、システム背面パネルのそれぞれのコネクタに接続します。

10 I/O ケーブルコネクタを、システム背面パネルのそれぞれのコネクタに接続します。

ケーブル接続の詳細については、お使いのシステムに付属の『インストール&トラブルシューティングガイド』と『ユーザズガイド』を参照してください。

11 電源ケーブルと I/O ケーブルをケーブル処理アームに通します。4 本のタイラップで緩めに固定してください（2 本はアームの中央で、2 本はアームの両端で固定します）。この時点では、タイラップをきつく締めないでください（図 4-10 参照）。

ケーブルの損傷を防ぐため、ケーブルはケーブル処理アームの中で多少たるませておきます。

12 ケーブルをケーブル処理アームに固定します。

- a ケーブルをシステムに接続したら、システム前面を前面垂直レールに固定しているつまみネジを緩めます。
- b システムを前方にスライドさせて完全に引き出します。
- c ヒンジの動きを妨げないように多少余裕を持たせながら、ケーブルをケーブル処理アームに通します。ストラップでケーブルをアームに固定し、ケーブル処理アームのワイヤカバーを閉じます。


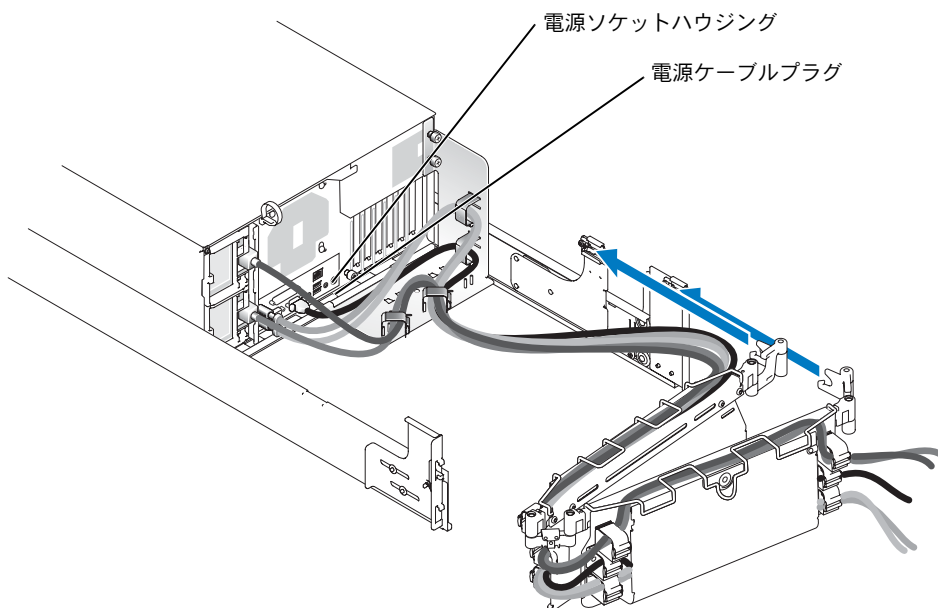
 **メモ：**システムを引き出せる限度まで引き出すと、伸びきった位置でスライドアセンブリにロックがかかります。システムをラック内に戻すには、スライドの側面にあるスライドリリースラッチを押しながら、システムをスライドさせて完全にラックの中に戻します。

図 4-10 電源ケーブルの配線



- 13 システムをラックから引き出したりラックに押し戻したりして、ケーブルが正しく取り付けられているか、ケーブル処理アームの動きでケーブルが絡まったり、引きつったり、締め付けられたりしないか確認します。
- 14 ケーブルの張りがきつすぎたり緩すぎたりした場合は、必要に応じてケーブル処理アームのワイヤカバーを開いて張りを調節し、システムをラックから出し入れしてもケーブルがずれないようにします。
- 15 拘束ネジを使用して、ケーブル処理アーム固定装置をラックの背面に固定します (図 4-8 参照)。

## ラック扉の取り付け

扉の取り付け手順は、ご使用の 24U および 42U ラックキャビネットに同梱されているマニュアルを参照してください。

これでラックへのシステムの取り付けは完了です。





# 索引

## R

RapidRails キット  
の内容, 4-8

## V

VersaRails  
キットの内容, 4-8-4-9

VersaRails キットの内容  
リスト, 4-8

## あ

安全にお使いいただく  
ために, 4-5

## き

キットの内容  
RapidRails, 4-8  
VersaRails, 4-9

## け

ケーブル, 4-18  
ケーブル処理アーム  
ケーブルの配線, 4-18

## こ

工具と備品  
ラックキットの取  
り付け, 4-7

## と

扉  
取り付け, 4-19  
取り外し, 4-9  
取り付け  
ケーブル処理アーム, 4-15  
システムをラックへ, 4-14

## な

内容のリスト  
RapidRails キット, 4-8  
VersaRails キット, 4-8

## ら

ラック  
印付け, 4-10  
ラック安定板, 4-7  
ラック取り付け時  
の注意事項, 4-6  
ラックへの印付け, 4-10



# Guía de instalación del rack

## Notas, avisos y precauciones



**NOTA:** una NOTA proporciona información importante que le ayudará a utilizar mejor el ordenador.



**AVISO:** un AVISO indica un posible daño en el hardware o la pérdida de datos, e informa de cómo evitar el problema.



**PRECAUCIÓN:** un mensaje de PRECAUCIÓN indica el riesgo de daños materiales, lesiones corporales o incluso la muerte.

---

La información contenida en este documento puede modificarse sin previo aviso.

© 2004 Dell Inc. Reservados todos los derechos.

Queda estrictamente prohibida la reproducción de este documento en cualquier medio sin la autorización por escrito de Dell Inc.

Marcas comerciales que aparecen en el texto: *RapidRails* y *VersaRails* son marcas comerciales de Dell Inc.

Las demás marcas comerciales y nombres comerciales que puedan utilizarse en este documento se refieren a las entidades propietarias de dichos nombres y marcas o a sus productos. Dell Inc. renuncia a cualquier interés en la titularidad de derechos sobre marcas comerciales y nombres comerciales que no sean los suyos.

# Contenido

<b>Instrucciones de seguridad</b> . . . . .	<b>5-5</b>
SEGURIDAD: Montaje de sistemas en rack . . . . .	5-5
<b>Instrucciones de instalación</b> . . . . .	<b>5-6</b>
Antes de empezar. . . . .	5-6
Tareas de instalación . . . . .	5-7
Herramientas y material recomendados . . . . .	5-8
Contenido del kit de rack RapidRails . . . . .	5-8
Contenido del kit de rack VersaRails . . . . .	5-9
<b>Extracción de las puertas del rack</b> . . . . .	<b>5-10</b>
<b>Marcado del estante</b> . . . . .	<b>5-10</b>
<b>Instalación de los conjuntos deslizantes RapidRails</b> . . . . .	<b>5-12</b>
<b>Instalación de los conjuntos deslizantes VersaRails</b> . . . . .	<b>5-13</b>
<b>Instalación del sistema en el rack</b> . . . . .	<b>5-15</b>
<b>Instalación del brazo para tendido de cables</b> . . . . .	<b>5-16</b>
Montaje de la bandeja para cables. . . . .	5-16
Fijación del brazo para tendido de cables. . . . .	5-17
<b>Colocación de las puertas del rack</b> . . . . .	<b>5-20</b>
Índice . . . . .	5-21

## Figuras

Figura 5-1.	Contenido del kit de rack RapidRails . . . . .	5-8
Figura 5-2.	Contenido del kit de rack VersaRails . . . . .	5-9
Figura 5-3.	Una unidad de rack . . . . .	5-10
Figura 5-4.	Marcado de los rieles verticales . . . . .	5-11
Figura 5-5.	Instalación de los conjuntos deslizantes RapidRails . . . . .	5-13
Figura 5-6.	Montaje de los conjuntos de rieles VersaRails . . .	5-14
Figura 5-7.	Instalación del sistema en el rack . . . . .	5-16
Figura 5-8.	Instalación del brazo para tendido de cables . . . .	5-17
Figura 5-9.	Instalación del cable indicador de estado del sistema (si corresponde) . . . . .	5-18
Figura 5-10.	Canalización de los cables de alimentación . . . . .	5-19


# Instrucciones de seguridad

Siga estas directrices de seguridad para garantizar su propia seguridad y proteger el sistema y el entorno de trabajo frente a posibles daños. Para obtener información completa acerca de la seguridad, consulte la *Guía de información del producto*.


## SEGURIDAD: Montaje de sistemas en rack

Tenga en cuenta las precauciones siguientes para garantizar la estabilidad y la seguridad del rack.

Los sistemas son considerados como componentes de un rack. Por lo tanto, “componente” se refiere a cualquier sistema, así como a los distintos periféricos o al hardware de soporte.

 **PRECAUCIÓN:** la instalación de sistemas en un rack sin los estabilizadores frontales y laterales puede causar la inclinación y caída del rack, lo que podría producir lesiones físicas. Por lo tanto, instale siempre los estabilizadores antes de montar componentes en el rack.

**Una vez que haya instalado el sistema o los componentes en el rack, no extraiga nunca del rack más de un componente a la vez sobre sus conjuntos deslizantes. El peso de más de un componente puede hacer que el rack vuelque y provoque lesiones personales.**


 **NOTA:** el sistema está homologado en cuanto a seguridad como unidad autónoma y como componente para su uso en un armario rack, utilizando el kit para rack de clientes en los casos en los que el armario rack y el kit para rack estén diseñados para su sistema. La instalación del sistema y del kit de rack de Dell en otros armarios rack no ha sido aprobada por ninguna agencia de seguridad. Es responsabilidad del cliente la evaluación, por parte de una agencia de seguridad certificada, de la combinación final de sistema y kit para rack montados en un armario. El fabricante declina toda responsabilidad y garantía relacionadas con tales combinaciones.


- Los kits para rack están concebidos para ser montados en un rack aprobado por técnicos de servicio cualificados. Si monta el kit en cualquier otro rack, éste debe cumplir las especificaciones.
- Antes de realizar alguna operación en el rack, asegúrese que los estabilizadores estén fijados al rack, que lleguen hasta el suelo y que todo el peso del rack descansa sobre el suelo. Instale los estabilizadores frontales y laterales para un único rack, o los estabilizadores frontales para varios racks unidos.
- Cargue siempre el rack desde la parte inferior hacia arriba, colocando en primer lugar el elemento más pesado.
- El rack debe estar nivelado y estabilizado antes de extraer un componente.
- Tenga cuidado al presionar los pasadores de liberación de los rieles de componentes y al extraer o introducir un componente en el rack, puesto que puede pillarse los dedos con los rieles deslizantes.
- Una vez insertado un componente en el rack, extienda con cuidado el riel hasta su posición de bloqueo y deslice el componente hacia el interior del rack.

- No sobrecargue la fuente de alimentación de CA del rack. La carga total del rack no debe ser superior al 80% de la corriente nominal del circuito.
- Los componentes del rack deben disponer de una ventilación suficiente.
- No suba sobre ningún sistema/componente ni lo utilice como escalón para realizar operaciones en los componentes de un rack.


## Instrucciones de instalación

En esta guía de instalación se proporcionan instrucciones para técnicos de servicio cualificados que instalen uno o más sistemas en un rack abierto o en un armario rack. El kit de rack RapidRails™ se puede instalar sin herramientas en todos los armarios rack del fabricante que tengan orificios cuadrados, y el kit de rack VersaRails™ se puede instalar en la mayoría de los armarios rack estándar que tengan orificios cuadrados o redondos. Los procedimientos para instalar los kits de rack RapidRails y VersaRails son similares. Para cada sistema montado en el rack se precisa un kit para rack.

 **PRECAUCIÓN:** no instale componentes del kit de rack que se hayan diseñado para otro sistema. Utilice únicamente el kit de rack para su sistema Dell. Si utiliza un kit de rack para otro sistema, pueden causarse daños en el sistema y lesiones personales.


 **NOTA:** si el sistema es una versión torre, debe instalar un kit de conversión de torre a rack. En un documento aparte se incluyen instrucciones para montar este kit.


El kit de rack RapidRails se puede montar en la mayor parte de los armarios rack estándar.

 **AVISO:** el kit de rack VersaRails lo deben montar únicamente técnicos de servicio cualificados en un rack que cumpla las especificaciones siguientes: American National Standards Institute (ANSI)/Electronic Industries Association (EIA) ANSI/EIA-310-D-92, International Electrotechnical Commission (IEC) 297 y Deutsche Industrie Norm (DIN) 41494. Se precisa un kit de rack para cada sistema que se instale en el rack.

### Antes de empezar

Antes de empezar la instalación del sistema en el rack, lea detenidamente las instrucciones de seguridad que encontrará al principio de esta guía y las instrucciones de seguridad de la *Guía de información del producto* del sistema para obtener más información.


 **PRECAUCIÓN:** cuando instale varios sistemas en un rack, realice todos los procedimientos para el sistema actual antes de instalar el siguiente sistema.

 **PRECAUCIÓN:** los armarios rack pueden ser muy pesados y moverse fácilmente con las ruedas. El armario no tiene frenos. Preste extremo cuidado al mover el armario rack. Si traslada el armario rack, pliegue primero los pies niveladores. Evite rampas o inclinaciones largas o pronunciadas para evitar perder el control del armario. Extienda los pies niveladores de apoyo para evitar que el armario se desplace.





## Información de seguridad importante

Cuando instale el sistema en el rack, tome las precauciones de seguridad que se indican en las subsecciones siguientes.

 **PRECAUCIÓN:** debe seguir estrictamente los procedimientos que se explican en este documento para protegerse a sí mismo y a otras personas que puedan verse involucradas. El sistema puede tener una envergadura y un peso considerables, por lo que son importantes una preparación y planificación adecuadas para evitar lesiones personales a uno mismo y a otros. Esto es más importante aún cuando se instalan sistemas en la parte alta del rack.

### Pies estabilizadores del rack

 **PRECAUCIÓN:** la instalación de sistemas en un rack sin haber instalado previamente los pies estabilizadores frontales y laterales puede hacer que vuelque el rack, lo que puede llegar a producir lesiones personales. Por lo tanto, instale siempre los pies estabilizadores antes de instalar los componentes en el rack.

 **PRECAUCIÓN:** tras instalar sistemas en un rack, nunca extraiga a la vez más de un sistema del rack sobre sus conjuntos deslizantes. El peso de más de un sistema extendido puede hacer que vuelque el rack y causar algún daño.

Los pies estabilizadores evitan que vuelque el rack cuando se extrae más de un sistema u otro componente con los conjuntos deslizantes totalmente extendidos. Consulte la documentación que se facilita con el armario rack para obtener instrucciones sobre la instalación y la fijación de los pies estabilizadores.

## Tareas de instalación

La instalación de un kit de rack implica realizar las tareas siguientes en el orden indicado:

- 1 Extracción de las puertas del rack
- 2 Marcado del rack (si fuera necesario)
- 3 Montaje de los conjuntos de rieles en el rack:
  - Instalación de RapidRails
  - Instalación de VersaRails
- 4 Instalación del sistema en el rack
- 5 Instalación del brazo para tendido de cables
- 6 Cableado
- 7 Colocación de las puertas del rack

## Herramientas y material recomendados

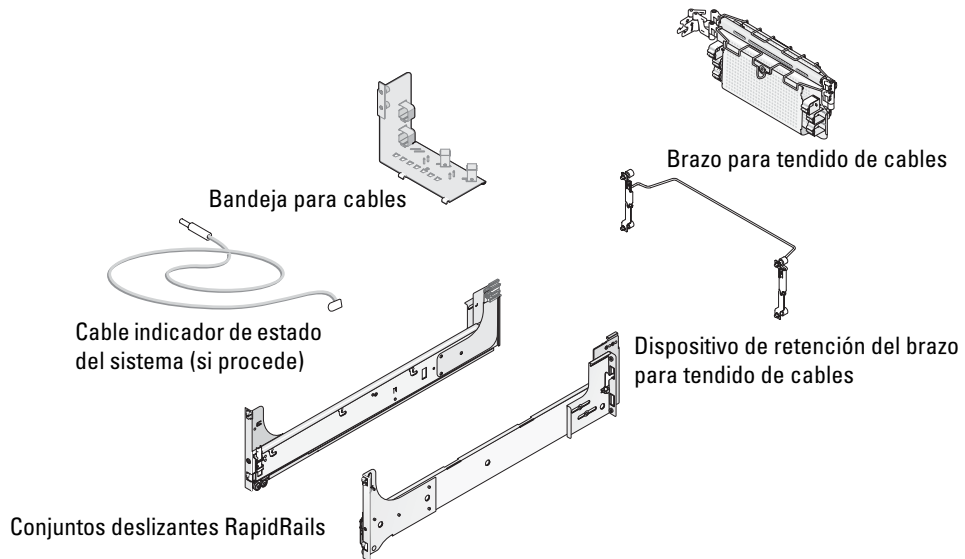
- Destornillador Phillips del n° 2
- Destornillador Torx T-10 (para montaje del kit de torre a rack)
- Cinta adhesiva o rotulador de punta de fieltro para marcar los orificios de montaje que se utilizarán
- Regla o cinta de medición

## Contenido del kit de rack RapidRails

El kit de rack RapidRails incluye los elementos siguientes (consulte la figura 5-1):

- Un par de conjuntos deslizantes RapidRails
- Un brazo para tendido de cables
- Un dispositivo de retención del brazo para tendido de cables
- Una bandeja para cables

**Figura 5-1. Contenido del kit de rack RapidRails**



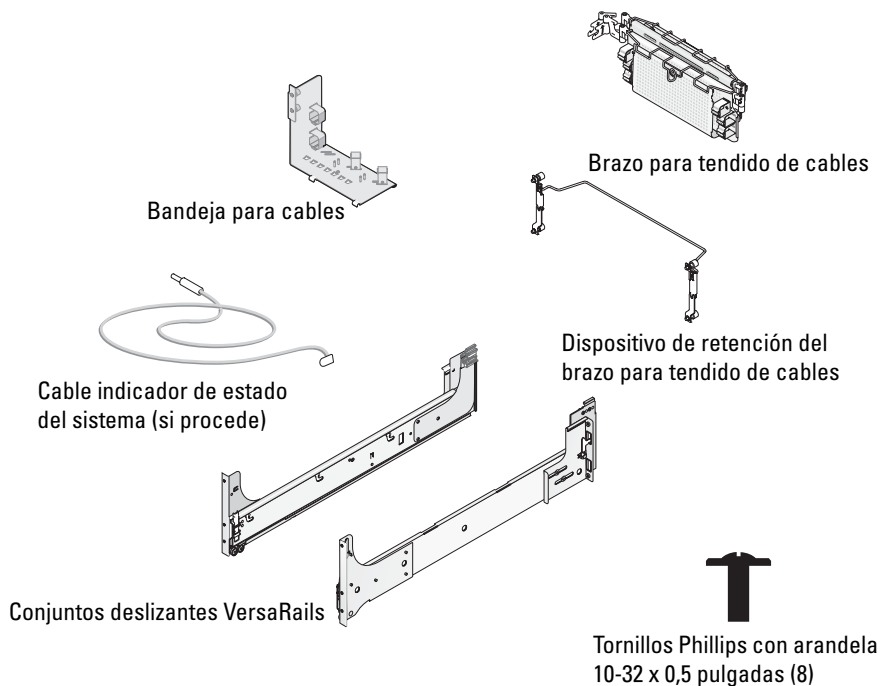
## Contenido del kit de rack VersaRails

El kit de rack VersaRails incluye los elementos siguientes (consulte la figura 5-2):

- Un par de conjuntos deslizantes VersaRails
- Un brazo para tendido de cables
- Un dispositivo de retención del brazo para tendido de cables
- Una bandeja para cables
- Ocho tornillos Phillips con arandela 10-32 x 0,5 pulgadas

**NOTA:** los tornillos no métricos que se describen en las ilustraciones y en los procedimientos se identifican por el tamaño y el número de roscas por pulgada. Por ejemplo, un tornillo Phillips del nº 10 con 32 roscas por pulgada se identifica como un tornillo 10-32.

Figura 5-2. Contenido del kit de rack VersaRails



## Extracción de las puertas del rack

Para extraer las puertas, consulte los procedimientos correspondientes en la documentación suministrada con el armario rack.

**⚠ PRECAUCIÓN:** debido al tamaño y al peso de las puertas del armario rack, nunca debe intentar montarlas ni desmontarlas sin ayuda.

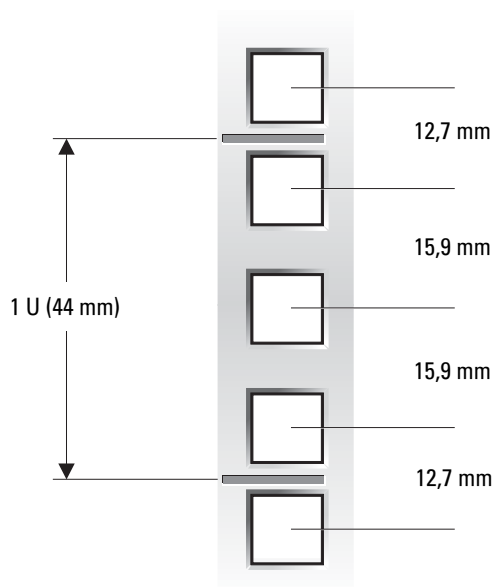
**⚠ PRECAUCIÓN:** guarde las dos puertas en un lugar donde, en caso de caer accidentalmente, no puedan lesionar a nadie.

## Marcado del estante

**✍ NOTA:** en caso de que el rack ya esté marcado, no es necesario realizar este procedimiento.

Debe dejar 5 U (22 cm) de espacio vertical para cada sistema que monte en el rack (consulte la figura 5-3).

**Figura 5-3. Una unidad de rack**



**⚠ PRECAUCIÓN:** si va a instalar más de un sistema, instale los conjuntos deslizantes de modo que el primer sistema quede instalado en la posición más baja disponible en el rack.

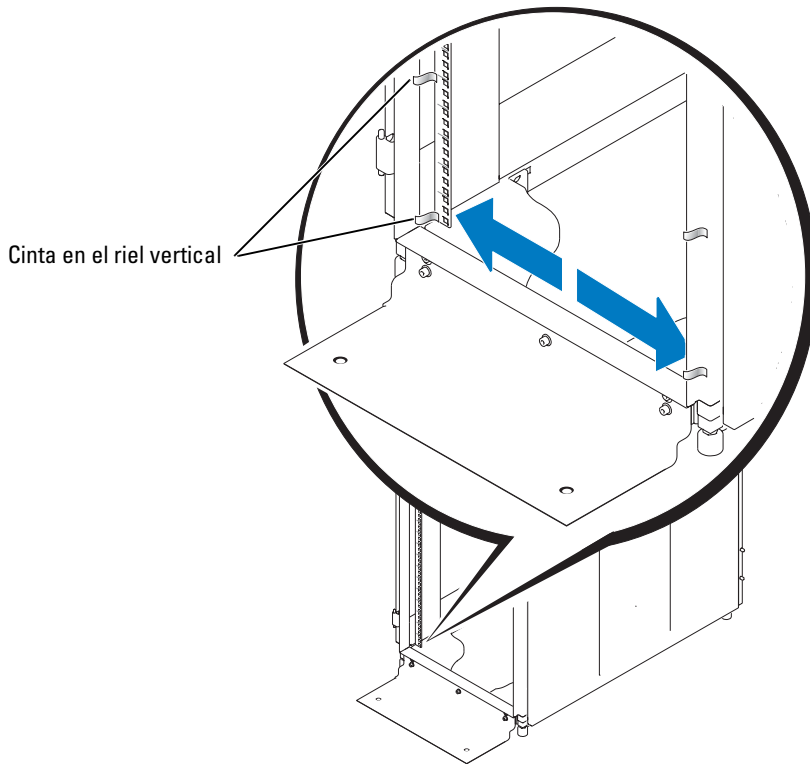
Para marcar el rack, realice los pasos siguientes:

- 1 En los rieles verticales frontales del rack, marque el punto donde desea colocar la parte inferior del sistema que está instalando en el armario rack.

La parte inferior de cada espacio 1-U se encuentra en el centro de la zona metálica más estrecha entre orificios (marcados con una línea horizontal en algunos armarios rack; consulte la figura 5-4).

- 2 Coloque una marca aproximadamente 22 cm por encima de la marca original que ha realizado (o cuente hasta 15 orificios en un rack que cumpla los estándares EIA-310) y marque los rieles verticales frontales del rack con un rotulador de punta de fieltro o cinta adhesiva (si ha contado orificios, coloque una marca encima del orificio superior). Esta marca o trozo de cinta indica dónde se va a situar el borde superior del sistema en los rieles verticales (consulte la figura 5-4).

**Figura 5-4. Marcado de los rieles verticales**



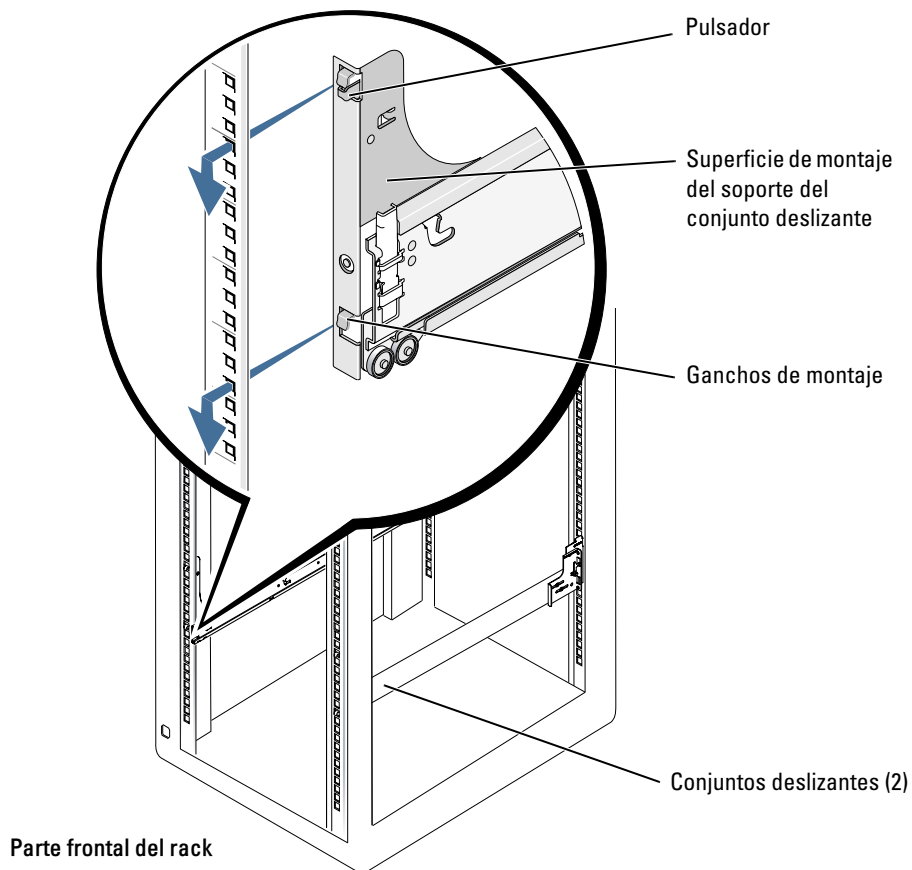
## Instalación de los conjuntos deslizantes RapidRails

- 1 En la parte frontal del armario rack, coloque uno de los conjuntos deslizantes RapidRails de modo que la superficie de montaje del soporte encaje en el sitio adecuado del rack (consulte la figura 5-5).  
El gancho superior de la superficie de montaje del soporte delantero del conjunto de rieles debe encajar en el orificio superior entre las marcas realizadas en los rieles verticales.
- 2 Empuje el conjunto deslizante hacia delante hasta que el gancho de montaje superior entre en el orificio cuadrado situado justo debajo de las marcas superiores o de la cinta colocada en el riel vertical. A continuación, presione hacia abajo la superficie de montaje del soporte hasta que los ganchos de montaje encajen en los orificios cuadrados y el pulsador salga y se oiga un clic (consulte la figura 5-5).
- 3 En la parte posterior del armario, tire hacia atrás de la superficie de montaje hasta que los ganchos de montaje encajen en el orificio correspondiente y, a continuación, empuje hacia abajo la superficie hasta que los ganchos de montaje queden encajados en los orificios cuadrados y el pulsador salga y se oiga un clic.
- 4 Repita los pasos del 1 al 3 para el conjunto deslizante del otro lateral del rack.



**NOTA:** asegúrese de que los rieles estén montados en la misma posición vertical en ambos lados del rack.

**Figura 5-5. Instalación de los conjuntos deslizantes RapidRails**




## **Instalación de los conjuntos deslizantes VersaRails**

- 1** En la parte frontal del armario rack, coloque un conjunto deslizante VersaRails de forma que la superficie de montaje del soporte se ajuste perfectamente entre las marcas o la cinta colocada (o la ubicación numerada) en el rack (consulte la figura 5-6).

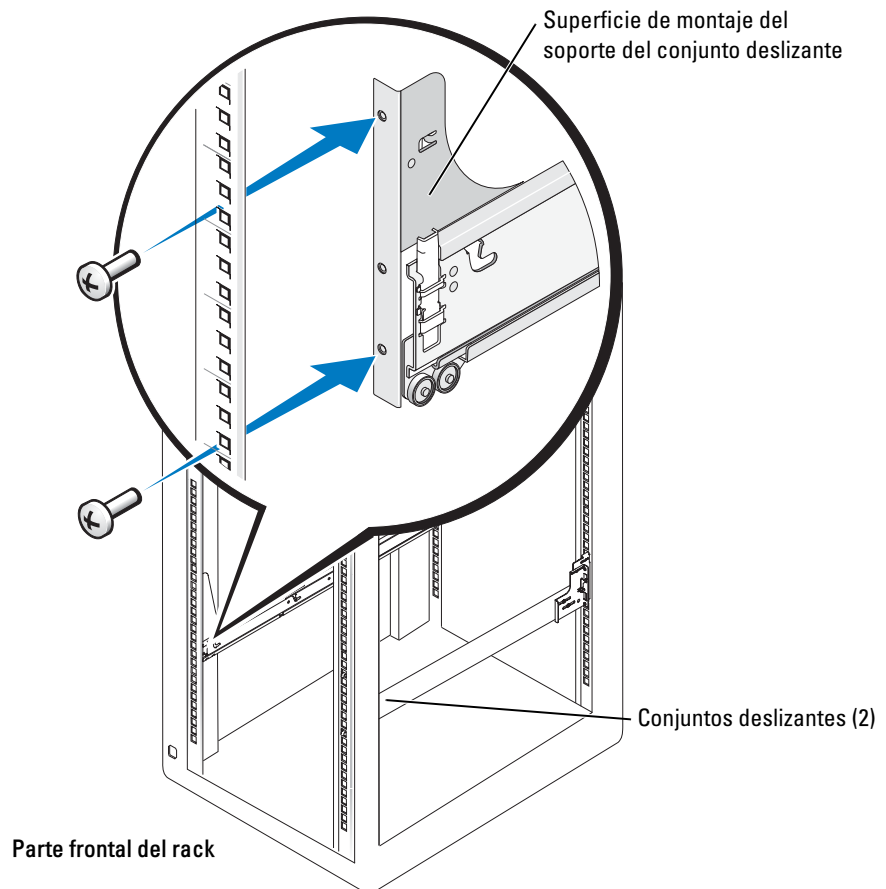
Los orificios de la parte frontal de la superficie de montaje deben alinearse con los orificios situados entre las marcas realizadas en el riel vertical frontal.

- 2** Monte dos tornillos Phillips con arandela 10-32 x 0,5 pulgadas en los orificios superior e inferior de la superficie de montaje (consulte la figura 5-6).
- 3** En la parte posterior del armario, tire hacia atrás de la superficie de montaje hasta que los orificios de montaje queden alineados con los orificios correspondientes del riel vertical posterior.

- 4 Monte dos tornillos Phillips con arandela 10-32 x 0,5 pulgadas en los orificios primero y tercero de la superficie de montaje posterior para fijar el conjunto deslizante al riel vertical posterior.
- 5 Repita los pasos del 1 al 4 para el conjunto deslizante del otro lateral del rack.

 **NOTA:** asegúrese de que los rieles estén montados en la misma posición vertical en ambos lados del rack.

**Figura 5-6. Montaje de los conjuntos de rieles VersaRails**





## Instalación del sistema en el rack

 **PRECAUCIÓN:** si va a instalar más de un sistema, instale el primero en la posición más baja que haya disponible en el rack.

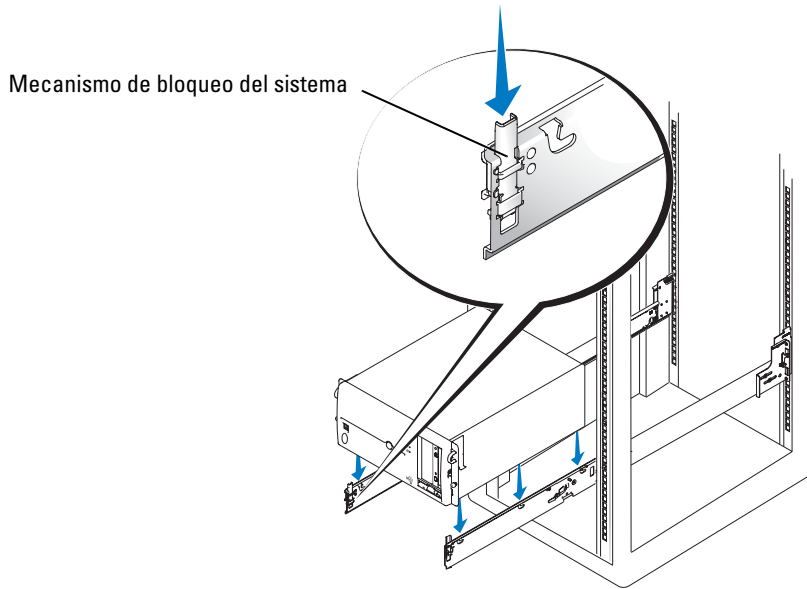
 **PRECAUCIÓN:** no extraiga nunca más de un componente del rack a la vez.

- 1 Tire de los dos conjuntos deslizantes interiores hacia fuera del rack hasta que queden totalmente bloqueados en la posición extendida.

 **PRECAUCIÓN:** debido al tamaño y al peso del sistema, no intente nunca instalarlo en los conjuntos deslizantes sin ayuda.

- 2 Levante el sistema hasta su posición.  
Con un mínimo de dos personas, cada persona debe colocar una mano en la parte inferior frontal del sistema y la otra en la parte inferior posterior.
- 3 Incline la parte frontal del sistema hacia arriba mientras alinea los tornillos de pivote posteriores de los laterales del sistema con las ranuras posteriores de los conjuntos deslizantes (consulte la figura 5-7).
- 4 Coloque los tornillos de pivote posteriores en la ranura situada justo detrás del pasador de liberación deslizante, seguido de los tornillos de pivote central y frontal.
- 5 Inserte el sistema en los conjuntos deslizantes hasta que se oiga un clic que indica que el mecanismo de bloqueo del sistema encaja en su sitio, bloqueando así el conjunto deslizante (consulte la figura 5-7).
- 6 Tire de los pasadores de liberación del conjunto deslizante e inserte el sistema en el rack.
- 7 Apriete los tornillos moleteados del panel frontal del rack.

**Figura 5-7. Instalación del sistema en el rack**



## Instalación del brazo para tendido de cables

Este procedimiento se realiza en dos fases. Primero, monte la bandeja para cables en la parte posterior del chasis del sistema. A continuación, monte el brazo para tendido de cables en cada lado de la bandeja para cables.

### Montaje de la bandeja para cables

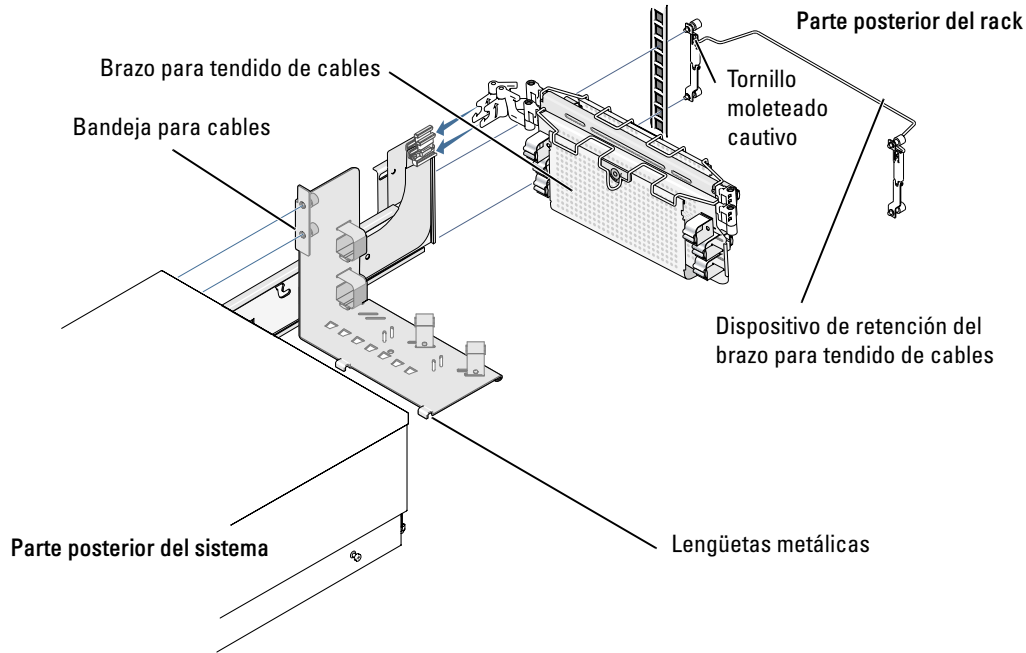
Encaje la bandeja para cables en el chasis del sistema mediante cuatro lengüetas metálicas de la parte inferior de la bandeja y dos tornillos Phillips de cabeza hexagonal 6-32 x 0,25 pulgadas (consulte la figura 5-8).

**⚠ PRECAUCIÓN:** la bandeja para cables no soporta el peso del sistema. No agarre la bandeja para cables al levantar el sistema. Levante el sistema solo por los bordes del chasis.

## Fijación del brazo para tendido de cables


- 1 Sitúese frente a la parte posterior del armario rack y localice la lengüeta del extremo del conjunto deslizante (consulte la figura 5-8).

**Figura 5-8. Instalación del brazo para tendido de cables**

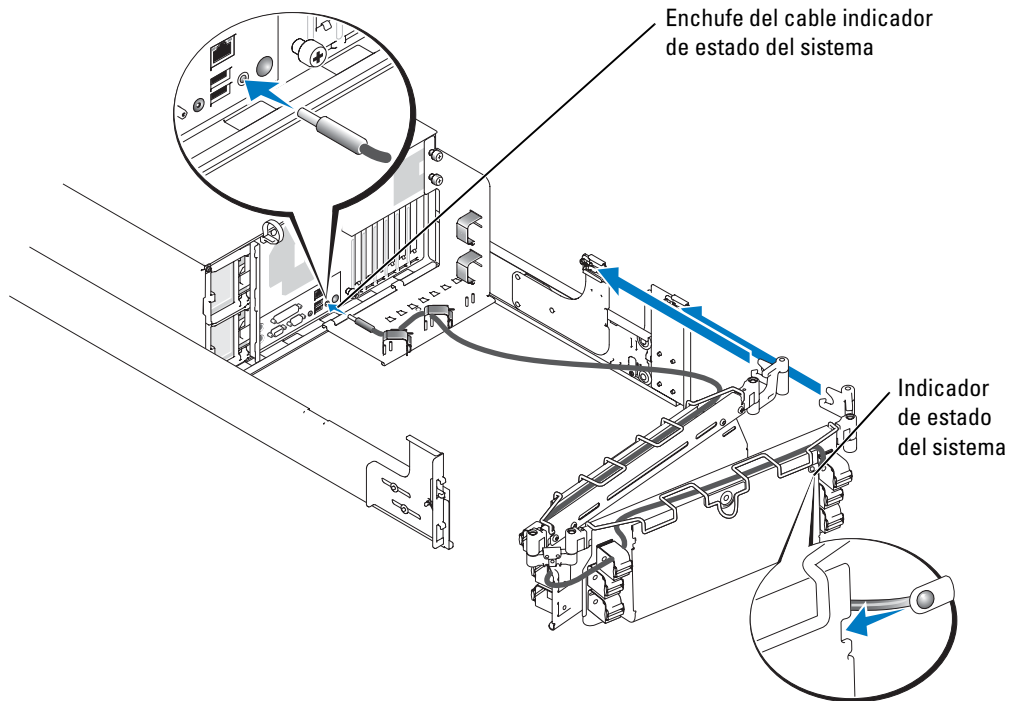


- 2 Inserte la lengüeta del extremo posterior del brazo para tendido de cables en el pasador del extremo del conjunto deslizante (consulte la figura 5-8).  
El pasador emite un clic al encajar en su sitio.
- 3 Inserte la lengüeta del extremo frontal del brazo para tendido de cables en el pasador correspondiente del segmento interno del conjunto deslizante (consulte la figura 5-8).  
El pasador emite un clic al encajar en su sitio.
- 4 Enchufe el cable de indicador de estado del sistema en su conector (consulte la figura 5-9).
- 5 Abra las cubiertas de alambre del brazo para tendido de cables levantando el centro del alambre por encima del botón circular repujado en el frontal de la parte delantera del brazo y levantando el alambre por encima del otro botón circular similar situado en la parte posterior del brazo.  
La cubierta de alambre se abre para permitir que los cables se tiendan en el brazo.

- 6 Pase el extremo del cable indicador de estado del sistema por el brazo para tendido de cables e instale el indicador en la ranura situada en la parte posterior del brazo para tendido de cables (consulte la figura 5-9).
- 7 Conecte los cables de alimentación a los receptáculos del panel posterior.

 **NOTA:** coloque los lazos liberadores de tensión (si están disponibles) en la parte posterior del sistema para liberar la tensión de los cables de alimentación.

**Figura 5-9. Instalación del cable indicador de estado del sistema (si corresponde)**



- 8 Conecte los cables de alimentación a sus receptáculos del panel posterior (consulte la figura 5-10).

 **PRECAUCIÓN:** deje cierta holgura en cada cable conforme los tiende alrededor de las bisagras del brazo para tendido de cables.


- 9 Conecte los conectores de cables de E/S a sus respectivos conectores situados en el panel posterior del sistema.
- 10 Conecte los conectores de cables de E/S a sus respectivos conectores situados en el panel posterior del sistema.

Para obtener más información sobre las conexiones de los cables, consulte la *Guía de instalación y solución de problemas* y la *Guía del usuario*.

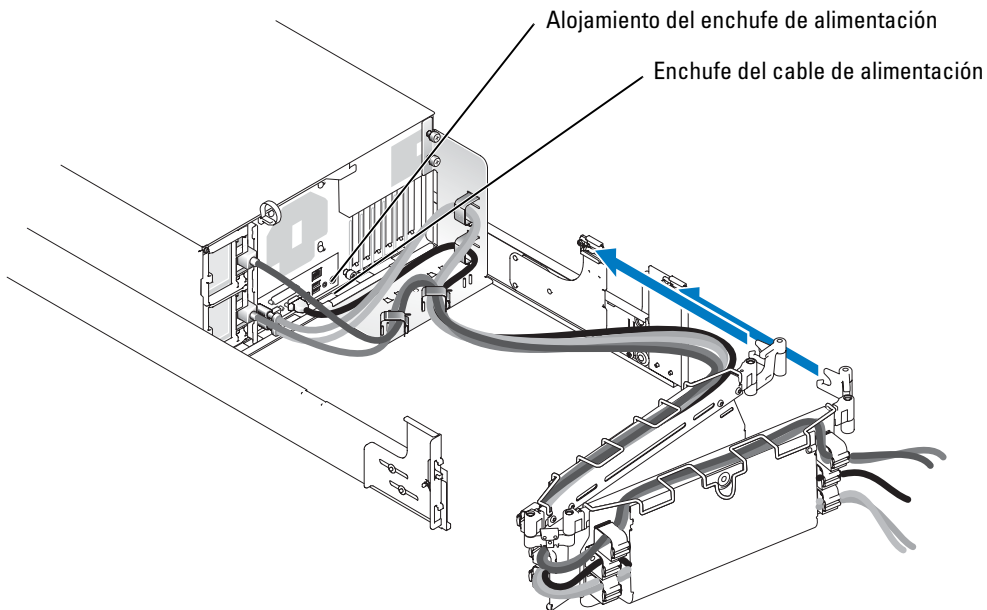
- 11 Pase los cables de alimentación y de E/S a través del brazo para tendido de cables. Para ello, utilice cuatro abrazaderas que tengan suficiente holgura (dos en el medio y una en cada extremo del brazo). No apriete completamente las abrazaderas en este momento (consulte la figura 5-10).

Deje que los cables queden algo flojos en el brazo para tendido de cables para evitar que se dañen.

- 12 Fije los cables en el brazo para tendido de cables:
  - a Después de conectar los cables al sistema, desenrosque los tornillos moleteados que fijan la parte frontal del sistema al riel vertical frontal.
  - b Deslice el sistema hacia delante hasta la posición extendida.
  - c Pase los cables por el brazo para tendido de cables, realice los ajustes de holgura necesarios de los cables en las posiciones de las bisagras, fije los cables al brazo con las abrazaderas y cierre las cubiertas sobre el brazo-para tendido de cables.

 **NOTA:** al extraer el sistema completamente, los conjuntos deslizantes quedarán bloqueados en la posición extendida. Para volver a colocar el sistema en el rack, presione el pasador de liberación del lateral del conjunto deslizante y, a continuación, inserte completamente el sistema en el rack.

**Figura 5-10. Canalización de los cables de alimentación**



- 13** Deslice el sistema hacia dentro y hacia fuera del rack para comprobar que los cables están colocados correctamente y no quedan doblados, estirados o pinzados con el movimiento del brazo para tendido de cables.
- 14** Abra las cubiertas de alambre del brazo para tendido de cables y apriete las cintas lo suficiente para garantizar que los cables no estén ni demasiado tensos ni demasiado sueltos, sino que se mantengan en su sitio cuando el sistema se inserte o se extraiga del rack.
- 15** Utilice los tornillos moleteados cautivos para sujetar el dispositivo de retención del brazo para tendido de cables en la parte posterior del rack (consulte la figura 5-8).

## **Colocación de las puertas del rack**

Consulte los procedimientos para volver a colocar las puertas en la documentación que se facilita con los armarios rack 24-U y 42-U.

El montaje en rack del sistema ha finalizado.

# Índice

## B

brazo para tendido de cables  
cablear, 5-19

## C

cables, 5-19  
contenido del kit  
  RapidRails, 5-8  
  VersaRails, 5-9  
contenido enumerado  
  kit RapidRails, 5-8  
  kit VersaRails, 5-9

## H

herramientas y material  
  instalación de kits de rack, 5-8

## I

instalar  
  brazo para tendido de cables, 5-16  
  sistema en rack, 5-15  
instrucciones de seguridad, 5-5

## M

marcar el rack, 5-10

## P

pies estabilizadores del rack, 5-7  
precauciones para el montaje del rack, 5-6  
puertas  
  colocar, 5-20  
  extraer, 5-10

## R

rack  
  marcar, 5-10

## V

VersaRails  
  contenido del kit, 5-9

